

Basso

220-240V, 50/60Hz

308mm

243mm

243mm

308mm

ca. 10° (max. 20°)

Max. 16A

0,5 - 1,0 mm²

8 mm

1,5 - 2,5 mm²

12 mm

Dipswitch

ON

1 2 3

ON

1 2 3

ON

1 2 3

Standard

ON

1 2 3

ON

1 2 3

ON

1 2 3

| | | | | | | |
|-----------|-----|-----|-----|-------------|------|------|
| mA | 200 | 250 | 300 | 350 | 400 | 450 |
| lm | 63% | 75% | 86% | 100% | 114% | 128% |

NO: Kan kun installeres og vedlikeholdes av en registrert installasjonsvirksomhet.

DK: Må kun installeres og vedligeholdes af uddannet elektriker.

SE: Skall installeras och underhållas av behörig elektriker.

EN: Only to be installed and maintained by an authorized electrician.

FR: Doit être installé et maintenu par un électricien qualifié.

NL: Mag alleen geïnstalleerd en onderhouden worden door een bevoegde electricien.

DE: Dieses Produkt darf nur durch autorisiertes Personal (z.B. Elektro-Installateur) angeschlossen, in Betrieb genommen und gewartet werden.

FI: Asentaa ja huoltaa saa vain valtuutettu sähköasentaja

NO: Skru av strømmen før montering.

DK: Sluk for strømmen inden montering.

SE: Stäng av strømmen innan montering.

EN: Turn off power before installing.

FR: Couper le courant avant l'installation.

NL: Stroom uitschakelen voor u het toestel installeert.

DE: Vor Installationsarbeiten den Strom abschalten.

FI: Sammuta virta ennen kytkemistä

NORWAY
SG Armaturen AS
Skytterheia 25
N-4790 Lillesand

SWEDEN
SG Armaturen AB
Tel: +46 31 81 71 10
info@sg-ab.se
www.sg-ab.se

DENMARK
SG Armaturen A/S
Tel: +45 70 70 72 13
info@sg-as.dk
www.sg-as.dk

FRANCE
SG Lighting SA/NV
Tel: +33(0) 4 94 93 00 00
info.france@sglighting.fr
www.sglighting.net

GERMANY
SG Leuchten GmbH
Tel: +49 40 23 99 44 59
info@sg-leuchten.de
www.sg-leuchten.de

Tel: +47 37 50 03 00
firmapost@sg-as.no
www.sg-as.no

FINLAND
SG Armaturen Oy
Tel: +358 02 07 30 39 60
info@sg-oy.fi
www.sg-oy.fi

UNITED KINGDOM
SG Lighting LTD
Tel: +47 37 50 03 00
info@sglighting.co.uk
www.sglighting.co.uk

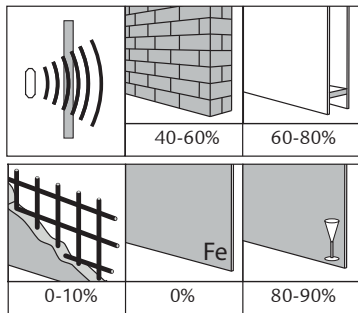
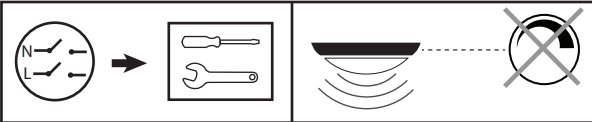
BENELUX
SG Lighting SA/NV
Tel: +32(0) 15 20 72 71
info.benelux@sglighting.net
www.sglighting.net

INTERNATIONAL
SG Lighting Co Ltd.
Tel: +86 769 88 49 20 88
cindy@sgdgc.com
www.sg-as.com

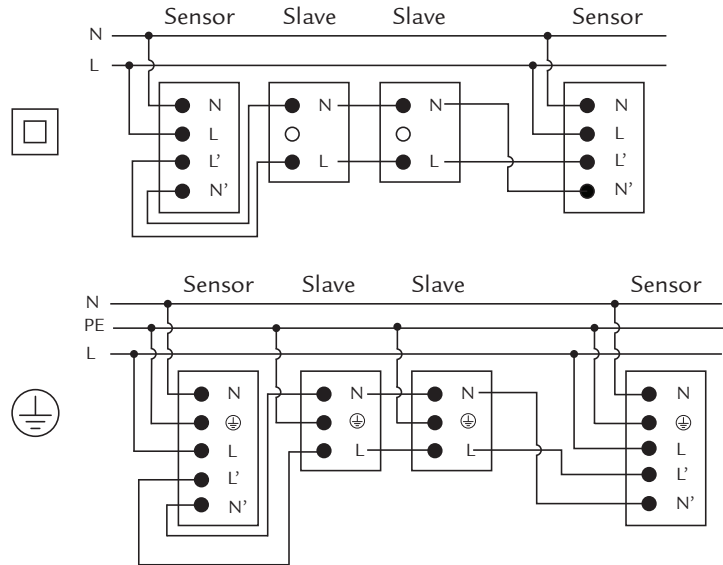
HC009S sensor



230V, 50Hz



| | | |
|---------------------|--|----------------|
| Standby power | | < 0.5W |
| Microwave frequency | | 5.8GHz+/-75MHz |
| Microwave power | | < 0.2mW |



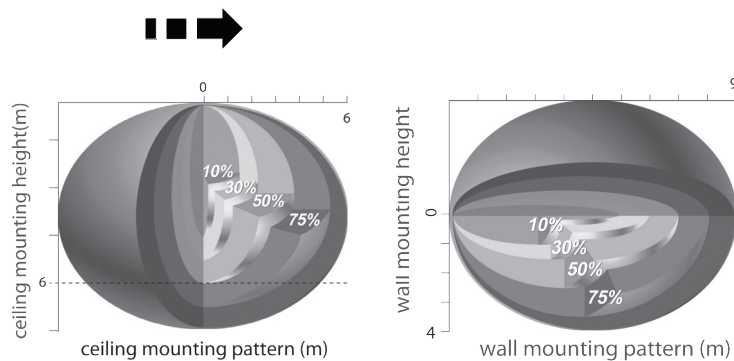
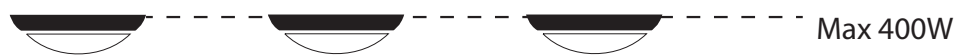
| | 1 | 2 | 3 | |
|-----|---|---|---|------|
| I | ● | ● | ● | 100% |
| II | ○ | ● | ● | 75% |
| III | ● | ○ | ● | 50% |
| IV | ● | ● | ○ | 25% |
| V | ○ | ○ | ○ | 10% |



| | 1 | 2 | 3 | 4 | |
|-----|---|---|---|---|-------|
| I | ● | ● | ● | ● | 5s |
| II | ○ | ● | ● | ● | 30s |
| III | ● | ○ | ● | ● | 1min |
| IV | ● | ● | ○ | ● | 5min |
| V | ● | ● | ● | ○ | 15min |
| VI | ○ | ○ | ○ | ○ | 30min |



| | 1 | 2 | 3 | 4 | |
|-----|---|---|---|---|---------|
| I | ● | ● | ● | ● | 2 Lux |
| II | ○ | ● | ● | ● | 5 Lux |
| III | ● | ○ | ● | ● | 10 Lux |
| IV | ● | ● | ○ | ● | 30 Lux |
| V | ● | ● | ● | ○ | 50 Lux |
| VI | ○ | ○ | ○ | ○ | Disable |



NORWAY
SG Armaturen AS
Skytterheia 25
N-4790 Lillesand

Tel: +47 37 50 03 00
firmapost@sg-as.no
www.sg-as.no

SWEDEN
SG Armaturen AB
Tel: +46 31 81 71 10
info@sg-ab.se
www.sg-ab.se

FINLAND
SG Armaturen Oy
Tel: +358 02 07 30 39 60
info@sg-oy.fi
www.sg-oy.fi

DENMARK
SG Armaturen A/S
Tel: +45 70 70 72 13
info@sg-as.dk
www.sg-as.dk

UNITED KINGDOM
SG Lighting LTD
Tel: +47 37 50 03 00
info@sglighting.co.uk
www.sglighting.co.uk

FRANCE
SG Lighting SA/NV
Tel: +33(0) 4 94 93 00 00
info.france@sglighting.fr
www.sglighting.net

BENELUX
SG Lighting SA/NV
Tel: +32(0) 15 20 72 71
info.benelux@sglighting.net
www.sglighting.net

GERMANY
SG Leuchten GmbH
Tel: +49 40 23 99 44 59
info@sg-leuchten.de
www.sg-leuchten.de

INTERNATIONAL
SG Lighting Co Ltd.
Tel: +86 769 88 49 20 88
cindy@sgdgc.com
www.sg-as.com