

TW LEDDim Smart Push



220-240V, 50Hz (NOT 60Hz*), 3-200VA, -20°C - 35°C

Operating frequency: 2402-2480MHz, Maximum radio-frequency output power: 2dBm

*60Hz upon request

Range

Mesh Grid Function

SG Smart App

Min. Android 10 - 4GB RAM

Min. iOS 14 - iPhone 11

www.sg-as.com/sg-smart-app-guide

0,5-2,5mm²
~6mm

0-1s

>2s

Max. 200 VA

Max. 150 VA / dimmer

✗	Max.160W	✗	✗

Maximum number of luminaires: 11

NORWAY
SG Armaturen AS

Skytterheia 25
N-4790 Lillesand

Tel: +47 37 50 03 00
firmapost@sg-as.no
www.sg-as.no

SWEDEN

SG Armaturen AB
Tel: +46 31 81 71 10
info@sg-ab.se
www.sg-ab.se

FINLAND

SG Armaturen Oy
info@sg-oy.fi
www.sg-oy.fi

DENMARK

SG Armaturen A/S
Tel: +45 70 70 72 13
info@sg-as.dk
www.sg-as.dk

UNITED KINGDOM

SG Lighting LTD
Tel: +47 37 50 03 00
info@sighting.co.uk
www.sighting.co.uk

FRANCE

SG Lighting SA/NV
Tel: +33(0) 4 94 93 00 00
info.france@sighting.fr
www.sighting.net

BENELUX

SG Lighting SA/NV
Tel: +32(0) 15 20 72 71
info.benelux@sighting.net
www.sighting.net

GERMANY

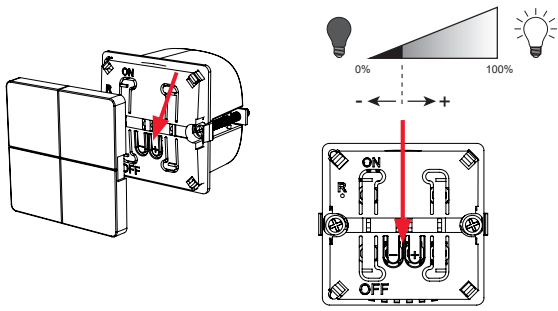
SG Leuchten GmbH
Tel: +49 40 23 99 44 59
info@sg-leuchten.de
www.sg-leuchten.de

INTERNATIONAL

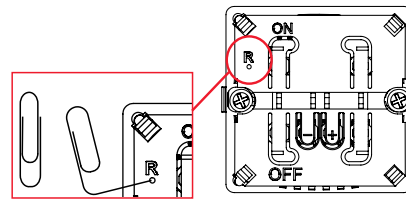
SG Lighting Co Ltd.
Tel: +86 769 88 49 20 88
cindy@sgdgc.com
www.sg-as.com

Rev: 18.10.2022

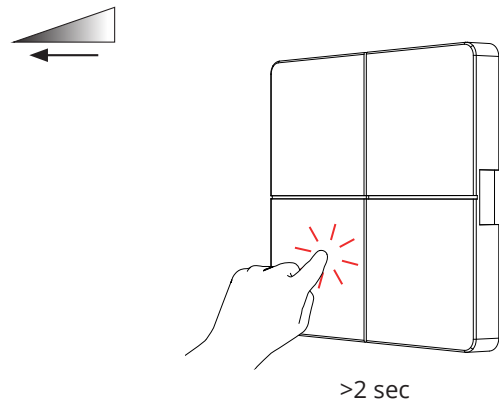
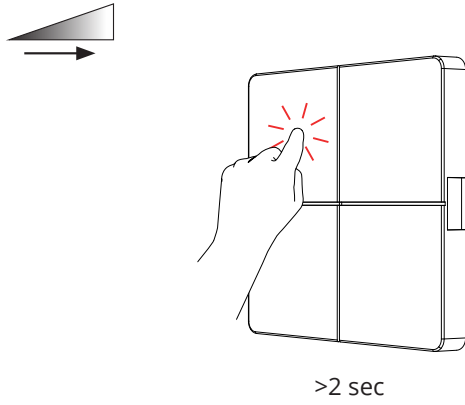
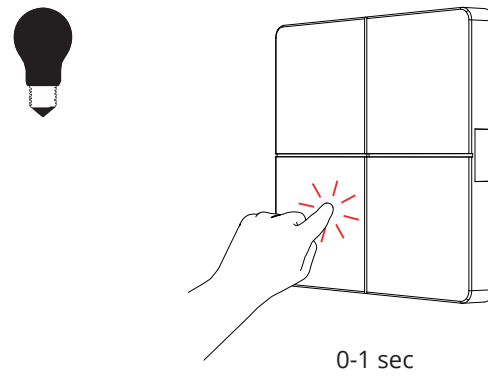
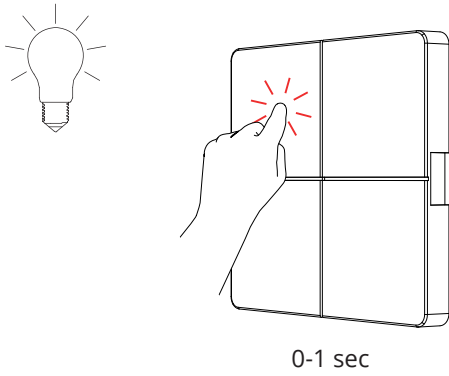
Minimum dim. level +/-



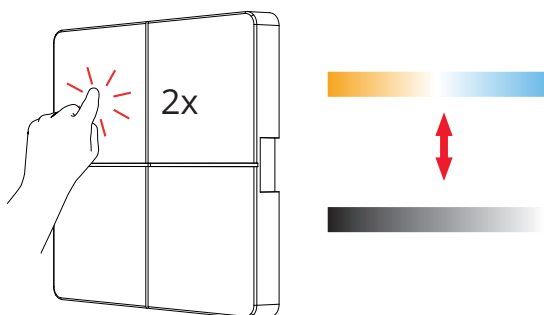
Reset ↻



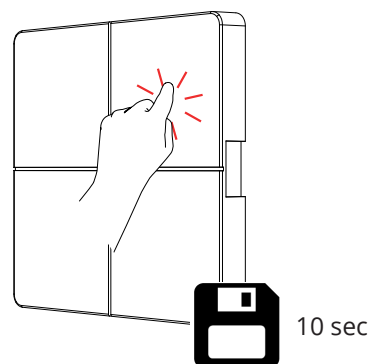
Settings



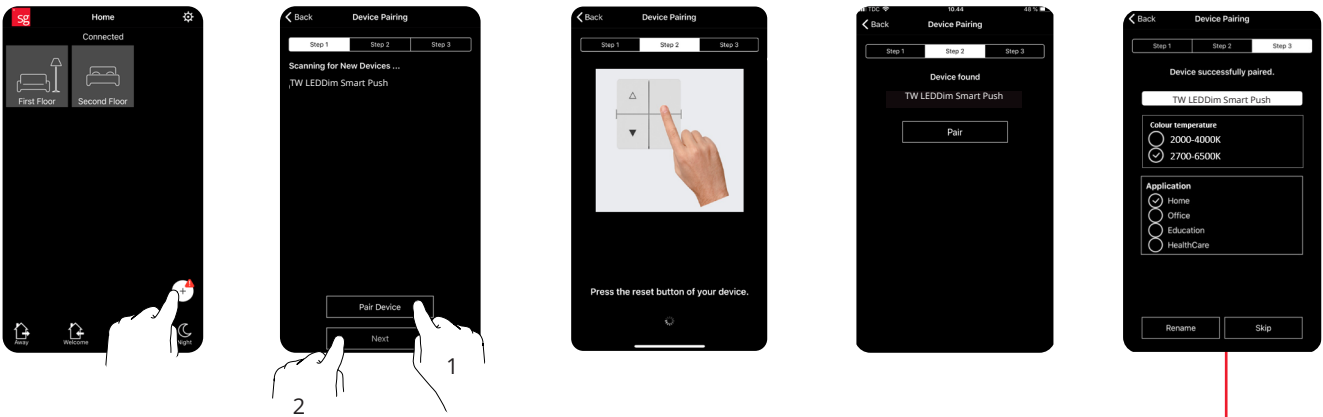
Mode



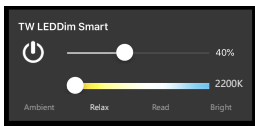
Save settings



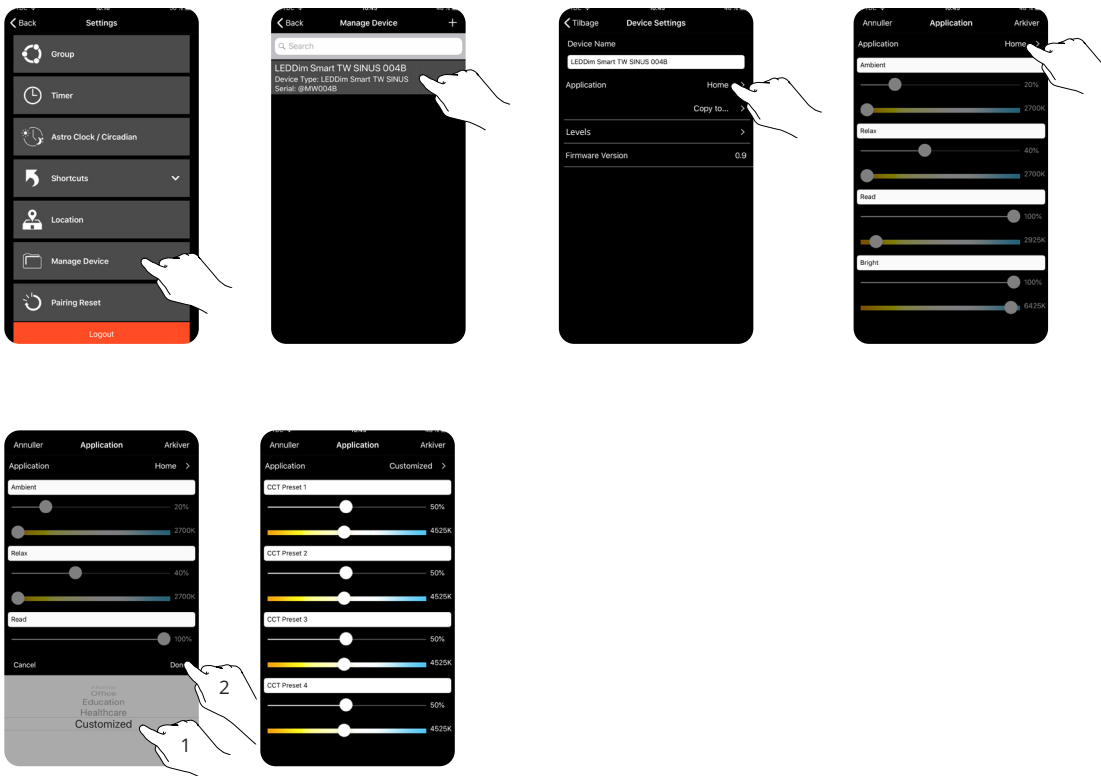
Pairing



2000-4000K			Home			Education			Office			Healthcare		
Ambient	2000K	20%	Ambient	2700K	20%	Relax	3000K	50%	Presentation	3000K	30%	Relax	3000K	50%
Relax	2200K	40%	Relax	2700K	40%	Dialogue	4000K	70%	Dialogue	4000K	70%	Dialogue	4000K	70%
Read	2700K	100%	Read	3000K	100%	Concentration	4525K	100%	Concentration	4525K	100%	Concentration	4525K	100%
Bright	4000K	100%	Bright	4000K	100%	Energy	6500K	100%	Energy	6500K	100%	Energy	6500K	100%



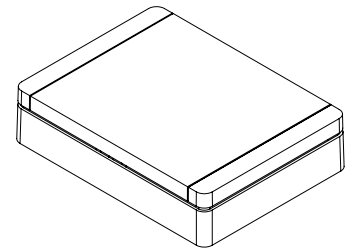
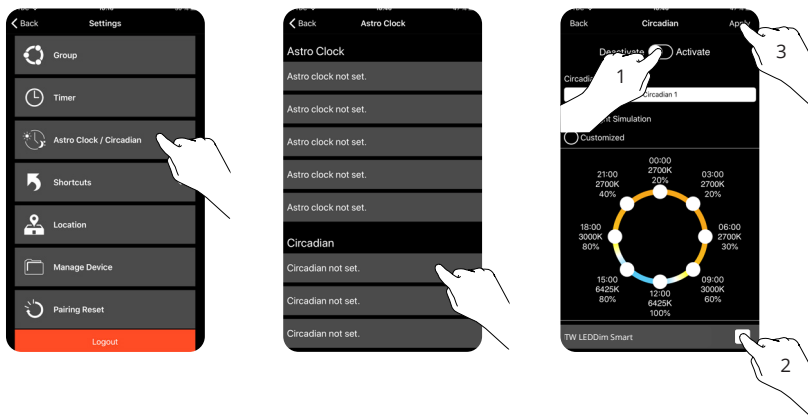
Customise preset



Levels

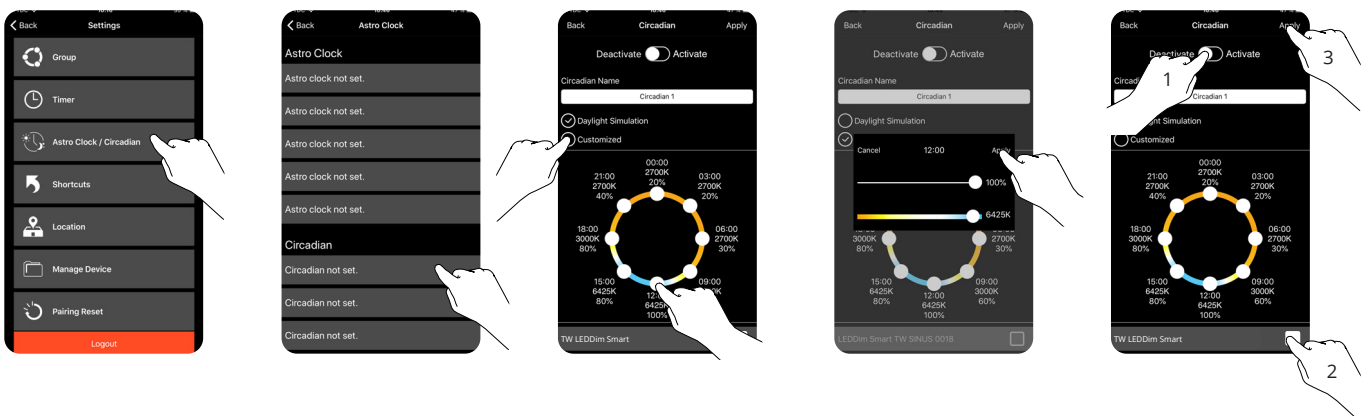


Circadian



Use with SG Smart Gateway

Circadian Customized



NO: Kan kun installeres og vedlikeholdes av en registrert installasjonsvirksomhet.
DK: Må kun installeres og vedlikeholdes af uddannet elektriker.
SE: Skall installeras och underhållas av behörig elektriker.
EN: Only to be installed and maintained by an authorized electrician.
FR: Doit être installé et maintenu par un électricien qualifié.
NL: Mag alleen geïnstalleerd en onderhouden worden door een bevoegde electricien.
DE: Dieses Produkt darf nur durch autorisiertes Personal (z.B. Elektro-Installateur) angeschlossen, in Betrieb genommen und gewartet werden.
FI: Asentaa ja huolttaa saa vain valtuutettu sähköasentaja

NO: Skru av strømmen før montering.
DK: Sluk for strømmen inden montering.
SE: Stäng av strömmen innan montering.
EN: Turn off power before installing.
FR: Couper le courant avant l'installation.
NL: Stroom uitschakelen voor u het toestel installeert.
DE: Vor Installationsarbeiten den Strom abschalten.
FI: Sammuta virta ennen kytkemistä