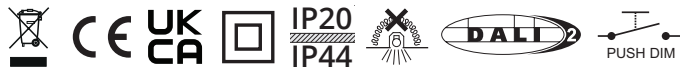
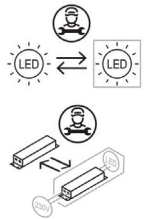


Rax Soft 200 DALI

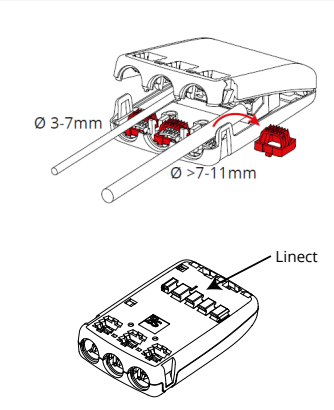
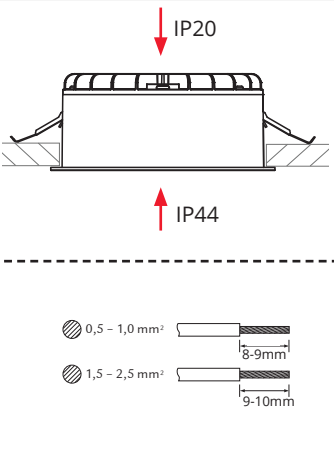
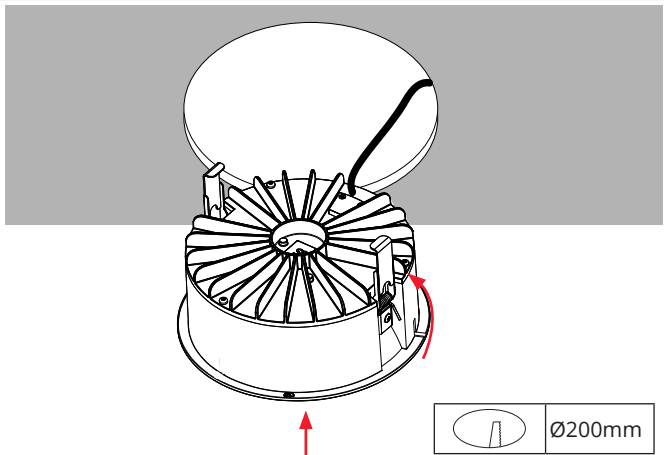


220-240V~, 50/60Hz

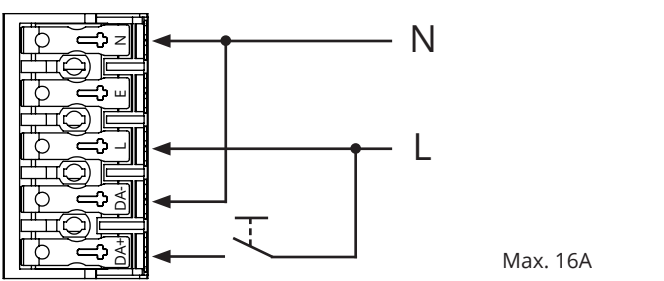


NO: Kan kun installeres og vedlikeholdes av en registrert installasjonsvirksomhet.
DK: Må kun installeres og vedlikeholdes af uddannet elektriker.
SE: Skall installeras och underhållas av behörig elektriker.
EN: Only to be installed and maintained by an authorized electrician.
FR: Doit être installé et maintenu par un électricien qualifié.
NL: Mag alleen geïnstalleerd en onderhouden worden door een bevoegde electricien.
DE: Dieses Produkt darf nur durch autorisiertes Personal (z.B. Elektro-Installateur) angeschlossen, in Betrieb genommen und gewartet werden.
FI: Asentaa ja huolttaa saa vain valtuutettu sähköasentaja

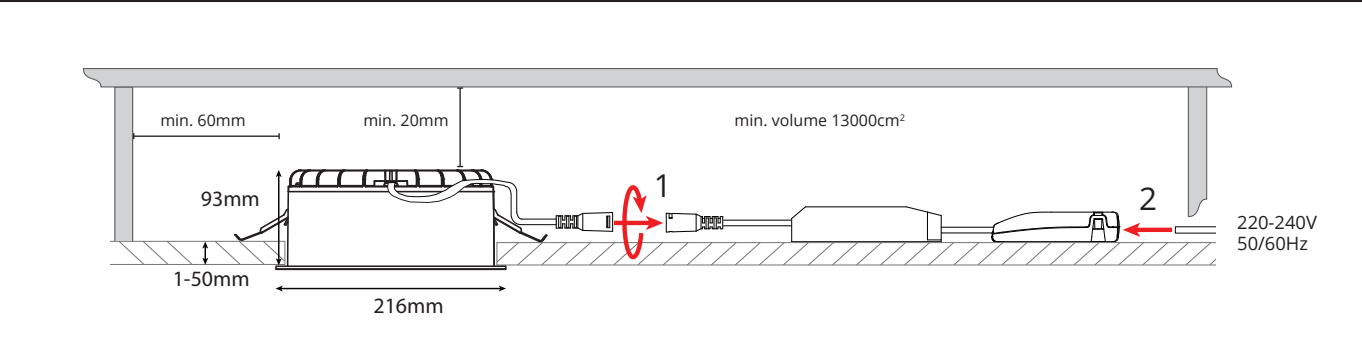
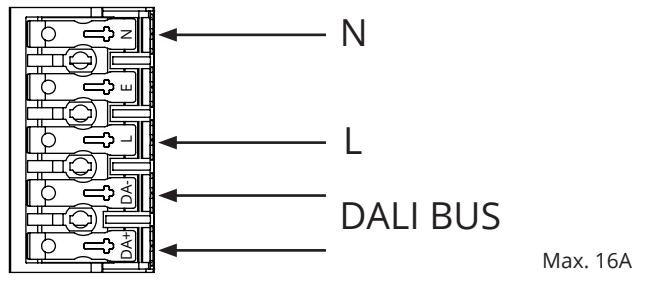
NO: Skru av strømmen før montering.
DK: Sluk for strømmen inden montering.
SE: Stäng av strömmen innan montering.
EN: Turn off power before installing.
FR: Couper le courant avant l'installation.
NL: Stroom uitschakelen voor u het toestel installeert.
DE: Vor Installationsarbeiten den Strom abschalten.
FI: Sammuta virta ennen kytkemistä



Push Dim



DALI Dim



Rev: 14.10.2022

NORWAY
SG Armaturen AS
 Skytterheia 25
 N-4790 Lillesand

SWEDEN
SG Armaturen AB
 Tel: +46 31 81 71 10
 info@sg-ab.se
 www.sg-ab.se

DENMARK
SG Armaturen A/S
 Tel: +45 70 70 72 13
 info@sg-as.dk
 www.sg-as.dk

FRANCE
SG Lighting SA/NV
 Tel: +33(0) 4 94 93 00 00
 info.france@sglighting.fr
 www.sglighting.net

GERMANY
SG Leuchten GmbH
 Tel: +49 40 23 99 44 59
 info@sg-leuchten.de
 www.sg-leuchten.de

Tel: +47 37 50 03 00
 firmapost@sg-as.no
 www.sg-as.no

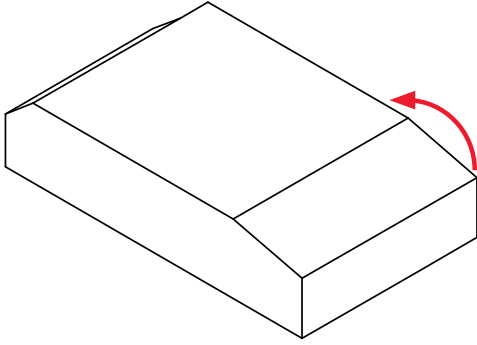
FINLAND
SG Armaturen Oy
 Tel: +358 02 07 30 39 60
 info@sg-oy.fi
 www.sg-oy.fi

UNITED KINGDOM
SG Lighting LTD
 Tel: +47 37 50 03 00
 info@sglighting.co.uk
 www.sglighting.co.uk

BENELUX
SG Lighting SA/NV
 Tel: +32(0) 15 20 72 71
 info.benelux@sglighting.net
 www.sglighting.net

INTERNATIONAL
SG Lighting Co Ltd.
 Tel: +86 769 88 49 20 88
 cindy@sgdgc.com
 www.sg-as.com

Dipswitch



| | Rax Soft 200 Satin 1600 DALI | | Rax Soft 200 Satin 2200 DALI | | Rax Soft 200 Satin 3000 DALI | | Rax Soft 200 Satin 4500 DALI | | Rax Soft 200 Satin 2200 DALI Ra>90 | | Rax Soft 200 Black 2200 DALI | | Rax Soft 200 Black 3000 DALI | | Rax Soft 200 Satin Asymmetric 1600 DALI | | Rax Soft 200 Satin Asymmetric 2200 DALI | | Rax Soft 200 Satin Asymmetric 3000 DALI | |
|-------------------|------------------------------------|-------------|---------------------------------|-------------|---------------------------------|-------------------|---------------------------------|-------------|--|-------------------|------------------------------------|-------------|------------------------------------|-------------|--|-------------|--|-------------|--|-------------|
| | mA | lm | mA | lm | mA | lm | mA | lm | mA | lm | mA | lm | mA | lm | mA | lm | mA | lm | mA | lm |
| | 300 | 95% | 300 | 63% | 300 | 45% | 300 | 32% | 300 | 53% | 300 | 53% | 300 | 41% | 300 | 77% | 300 | 53% | 300 | 41% |
| | 350 | 100% | 350 | 74% | 350 | 53% | 350 | 37% | 350 | 62% | 350 | 62% | 350 | 48% | 350 | 90% | 350 | 62% | 350 | 48% |
| | 400 | 111% | 400 | 82% | 400 | 59% | 400 | 42% | 400 | 70% | 400 | 70% | 400 | 53% | 400 | 100% | 400 | 70% | 400 | 53% |
| | 450 | 125% | 450 | 92% | 450 | 67% | 450 | 47% | 450 | 78% | 450 | 78% | 450 | 60% | 450 | 112% | 450 | 78% | 450 | 60% |
| | 500 | 135% | 500 | 100% | 500 | 72% | 500 | 50% | 500 | 84% | 500 | 84% | 500 | 65% | 500 | 121% | 500 | 84% | 500 | 65% |
| | 550 | 147% | 550 | 109% | 550 | 78% | 550 | 55% | 550 | 92% | 550 | 92% | 550 | 71% | 550 | 132% | 550 | 92% | 550 | 71% |
| | 600 | 160% | 600 | 118% | 600 | 85% | 600 | 60% | 600 | 100% | 600 | 100% | 600 | 77% | 600 | 144% | 600 | 100% | 600 | 77% |
| <i>UGR <19</i> | | | | | | | | | | | | | | | | | | | | |
| | 650 | 173% | 650 | 128% | 650 | 92% | 650 | 65% | 650 | 108% | 650 | 108% | 650 | 83% | 650 | 155% | 650 | 108% | 650 | 83% |
| | 700 | 186% | 700 | 138% | 700 | 100% | 700 | 70% | 700 | 116% | 700 | 116% | 700 | 90% | 700 | 167% | 700 | 116% | 700 | 90% |
| <i>UGR <22</i> | | | | | | <i>UGR <19</i> | | | | | | | | | | | | | | |
| | 750 | 196% | 750 | 146% | 750 | 105% | 750 | 74% | 750 | 123% | 750 | 123% | 750 | 95% | 750 | 177% | 750 | 123% | 750 | 95% |
| | 800 | 207% | 800 | 154% | 800 | 111% | 800 | 77% | 800 | 130% | 800 | 130% | 800 | 100% | 800 | 187% | 800 | 130% | 800 | 100% |
| | 850 | 219% | 850 | 163% | 850 | 117% | 850 | 82% | 850 | 137% | 850 | 137% | 850 | 106% | 850 | 198% | 850 | 137% | 850 | 106% |
| | 900 | 231% | 900 | 172% | 900 | 124% | 900 | 86% | 900 | 145% | 900 | 145% | 900 | 112% | 900 | 208% | 900 | 145% | 900 | 112% |
| | 950 | 243% | 950 | 180% | 950 | 130% | 950 | 91% | 950 | 152% | 950 | 152% | 950 | 117% | 950 | 219% | 950 | 152% | 950 | 117% |
| | 1000 | 255% | 1000 | 189% | 1000 | 137% | 1000 | 95% | 1000 | 167% | 1000 | 167% | 1000 | 123% | 1000 | 229% | 1000 | 167% | 1000 | 123% |
| | 1050 | 267% | 1050 | 198% | 1050 | 143% | 1050 | 100% | 1050 | 170% | 1050 | 170% | 1050 | 128% | 1050 | 240% | 1050 | 170% | 1050 | 128% |
| <i>UGR <22</i> | | | | | | | | | | <i>UGR <19</i> | | | | | | | | | | |