

# Frame Round / Wall Frame Round Maxi



220-240V, 50/60Hz

<p>Frame Round/Wall</p> <p>Frame Round Maxi</p>	
<p>Max. 16A</p> <ul style="list-style-type: none"> <li>0,5 - 1,0 mm<sup>2</sup> 8 mm</li> <li>1,5 - 2,5 mm<sup>2</sup> 12 mm</li> </ul>	
	<p>Frame Sensor</p>
<p><b>NO:</b> Skru av strømmen før montering.  <b>DK:</b> Sluk for strømmen inden montering.  <b>SE:</b> Stäng av strømmen innan montering.  <b>EN:</b> Turn off power before installing.  <b>FR:</b> Couper le courant avant l'installation.  <b>NL:</b> Stroom uitschakelen voor u het toestel installeert.  <b>DE:</b> Vor Installationsarbeiten den Strom abschalten.  <b>FI:</b> Sammuta virta ennen kytkemistä</p>	<p><b>NO:</b> Kan kun installeres og vedlikeholdes av en registrert installasjonsvirksomhet.  <b>DK:</b> Må kun installeres og vedligeholdes af uddannet elektriker.  <b>SE:</b> Skall installeras och underhållas av behörig elektriker.  <b>EN:</b> Only to be installed and maintained by an authorized electrician.  <b>FR:</b> Doit être installé et maintenu par un électricien qualifié.  <b>NL:</b> Mag alleen geïnstalleerd en onderhouden worden door een bevoegde electricien.  <b>DE:</b> Dieses Produkt darf nur durch autorisiertes Personal (z.B. Elektro-Installateur) angeschlossen, in Betrieb genommen und gewartet werden.  <b>FI:</b> Asentaa ja huoltaa saa vain valtuutettu sähköasentaja</p>

**NORWAY**  
SG Armaturen AS

Skytterheia 25  
N-4790 Lillesand

Tel: +47 37 50 03 00  
firmapost@sg-as.no  
www.sg-as.no

**SWEDEN**

SG Armaturen AB  
Tel: +46 31 81 71 10  
info@sg-ab.se  
www.sg-ab.se

**FINLAND**

SG Armaturen Oy  
Tel: +358 02 07 30 39 60  
info@sg-oy.fi  
www.sg-oy.fi

**DENMARK**

SG Armaturen A/S  
Tel: +45 70 70 72 13  
info@sg-as.dk  
www.sg-as.dk

**UNITED KINGDOM**

SG Lighting LTD  
Tel: +47 37 50 03 00  
info@sglighting.co.uk  
www.sglighting.co.uk

**FRANCE**

SG Lighting SA/NV  
Tel: +33(0) 4 94 93 00 00  
info.france@sglighting.fr  
www.sglighting.net

**BENELUX**

SG Lighting SA/NV  
Tel: +32(0) 15 20 72 71  
info.benelux@sglighting.net  
www.sglighting.net

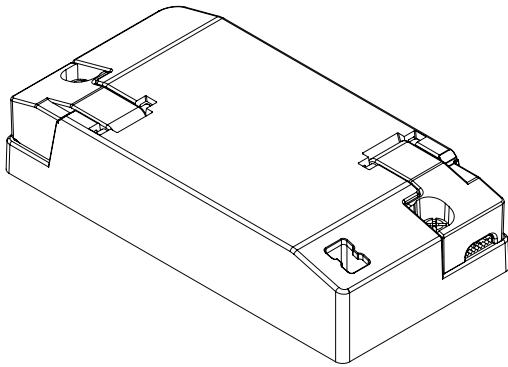
**GERMANY**

SG Leuchten GmbH  
Tel: +49 40 23 99 44 59  
info@sg-leuchten.de  
www.sg-leuchten.de

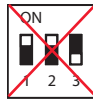
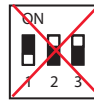
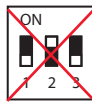
**INTERNATIONAL**

SG Lighting Co Ltd.  
Tel: +86 769 88 49 20 88  
cindy@sgdgc.com  
www.sg-as.com

# Dipswitch

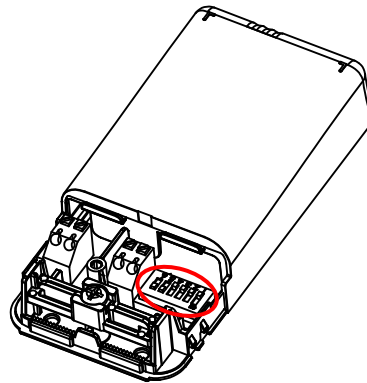
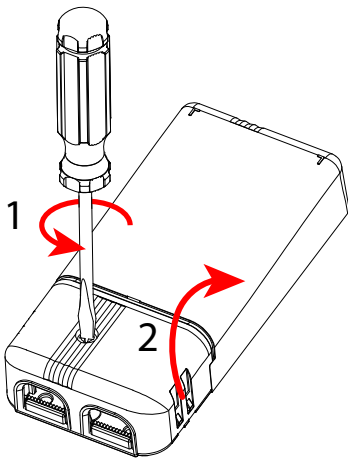


Standard



<b>mA</b>	<b>200</b>	250	300	350	400	450
<b>Im</b>	<b>100%</b>	125%	-	-	-	-

Frame Round/Wall



<b>mA</b>	250	300	350	400	450	500
<b>Im</b>	42%	50%	58%	67%	75%	83%

Frame Round Maxi

Standard



<b>mA</b>	550	<b>600</b>	650	<del>700</del>	<del>750-900</del>	<del>12/24/28V</del>
<b>Im</b>	92%	<b>100%</b>	108%	<del>-</del>	<del>-</del>	<del>-</del>

# ELP Emergency



3h: LDM90HOST + B084

1h: LDM90HOST/1HR + B068

220-240V, 50/60Hz, Self-test



<p>Installation/Replacement of battery</p> <p>Date Sign. <i>Signature</i></p> <p>Date Sign.</p>													
		<p>4-5 years</p> <p>✓ +0°</p> <p>✗ -0°</p> <p>Please also consider local requirements.</p>											
<table border="1" style="width: 100%; border-collapse: collapse;"> <tr> <td style="text-align: center;"></td> <td>System OK/mains operation mode</td> </tr> <tr> <td style="text-align: center;"></td> <td>Duration test/comissioning</td> </tr> <tr> <td style="text-align: center;"></td> <td>Function test</td> </tr> <tr> <td style="text-align: center;"></td> <td>LED luminaire fault</td> </tr> <tr> <td style="text-align: center;"></td> <td>Battery/test failure</td> </tr> <tr> <td style="text-align: center;"></td> <td>Battery charging failure</td> </tr> </table>		System OK/mains operation mode		Duration test/comissioning		Function test		LED luminaire fault		Battery/test failure		Battery charging failure	
	System OK/mains operation mode												
	Duration test/comissioning												
	Function test												
	LED luminaire fault												
	Battery/test failure												
	Battery charging failure												

Rev: 28.05.2019

**NORWAY** SG Armaturen AS  
Tlf: +47 37 50 03 00  
firmapost@sg-as.no  
www.sg-as.no

**SWEDEN** SG Armaturen AB  
Tel: +46 31 81 71 10  
info@sg-ab.se  
www.sg-ab.se

**FRANCE** SG Lighting SA/NV  
Tel: +33(0) 4 94 93 00 00  
info.france@silighting.fr  
www.silighting.net

**GERMANY** SG Leuchten GmbH  
Tel: +49 40 23 99 44 59  
info@sg-leuchten.de  
www.sg-leuchten.de

**DENMARK** SG Armaturen A/S  
Tel: +45 70 70 72 13  
info@sg-as.dk  
www.sg-as.dk

**FINLAND** SG Armaturen Oy  
info@sg-oy.fi  
www.sg-oy.fi

**BENELUX** SG Lighting SA/NV  
Tel: +32(0) 15 20 72 71  
info.benelux@silighting.net  
www.silighting.net

**INTERNATIONAL** SG Lighting Co Ltd.  
Tel: +86 769 88 49 20 88  
cindy@sgdgc.com  
www.sg-as.com

