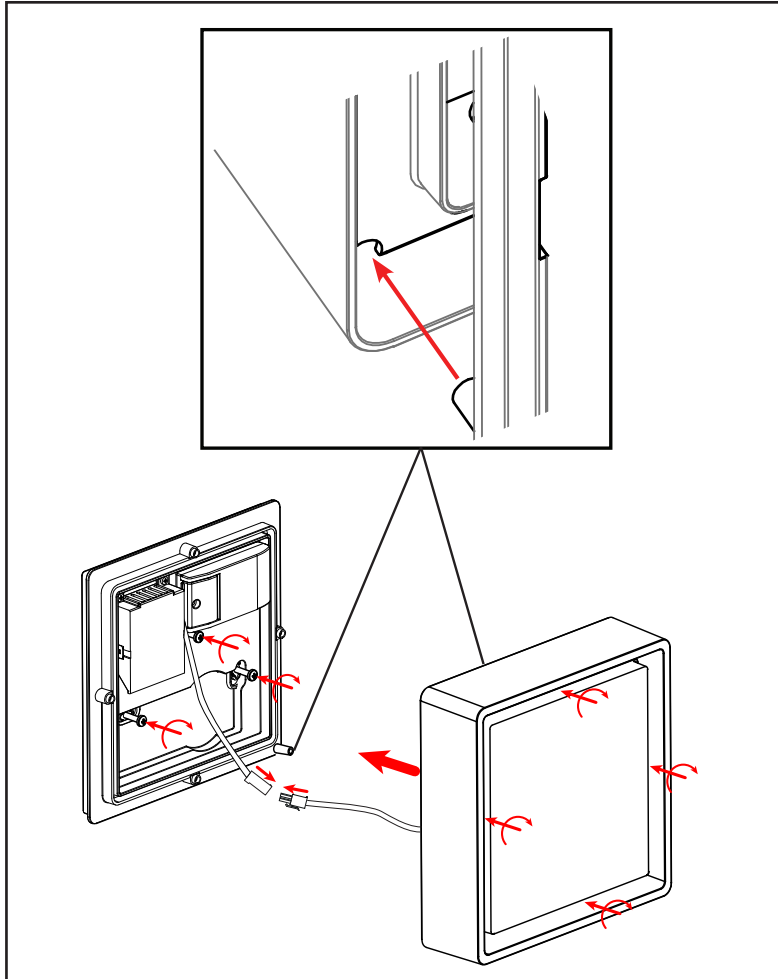


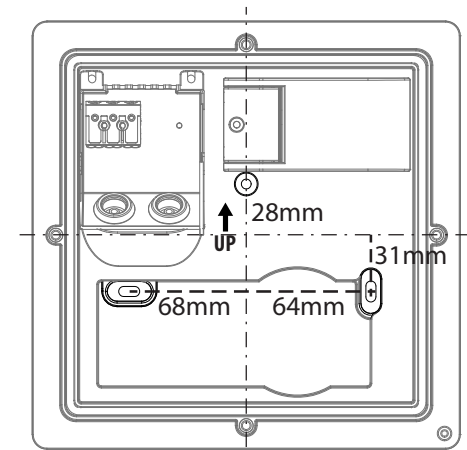
Frame Square / Wall Frame Square Maxi



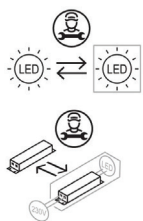
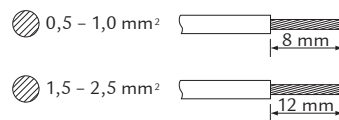
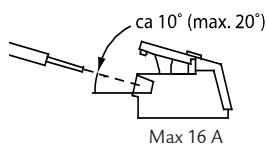
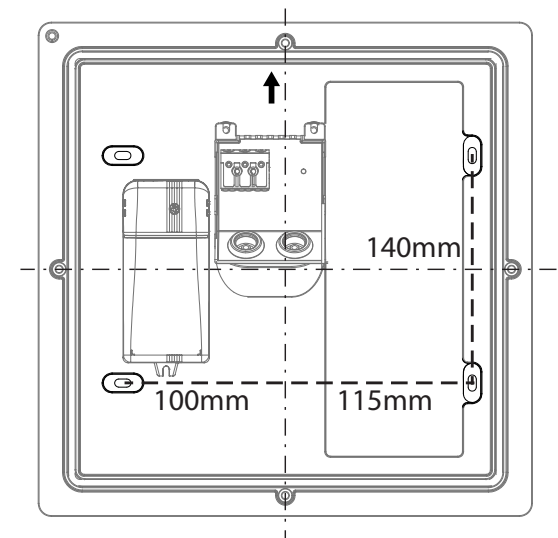
220-240V, 50/60Hz



Frame Square /Wall



Frame Square Maxi



NO: Skru av strømmen før montering.
DK: Sluk for strømmen inden montering.
SE: Stång av strømmen innan montering.
EN: Turn off power before installing.
FR: Couper le courant avant l'installation.
NL: Stroom uitschakelen voor u het toestel installeert.
DE: Vor Installationsarbeiten den Strom abschalten.
FI: Sammuta virta ennen kytkemistä

NO: Kan kun installeres og vedlikeholdes av en registrert installasjonsvirksomhet.
DK: Må kun installeres og vedlikeholdes af uddannet elektriker.
SE: Skall installeras och underhållas av behörig elektriker.
EN: Only to be installed and maintained by an authorized electrician.
FR: Doit être installé et maintenu par un électricien qualifié.
NL: Mag alleen geïnstalleerd en onderhouden worden door een bevoegde electricien.
DE: Dieses Produkt darf nur durch autorisiertes Personal (z.B. Elektro-Installateur) angeschlossen, in Betrieb genommen und gewartet werden.
FI: Asentaa ja huoltaa saa vain valtuutettu sähköasentaja

NORWAY
SG Armaturen AS

Skytterheia 25
N-4790 Lillesand

Tel: +47 37 50 03 00
firmapost@sg-as.no
www.sg-as.no

SWEDEN
SG Armaturen AB
Tel: +46 31 81 71 10
info@sg-ab.se
www.sg-ab.se

FINLAND
SG Armaturen Oy
Tel: +358 02 07 30 39 60
info@sg-oy.fi
www.sg-oy.fi

DENMARK
SG Armaturen A/S
Tel: +45 70 70 72 13
info@sg-as.dk
www.sg-as.dk

UNITED KINGDOM
SG Lighting LTD
Tel: +47 37 50 03 00
info@sglighting.co.uk
www.sglighting.co.uk

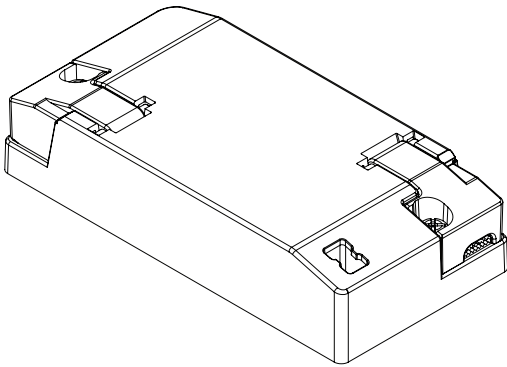
FRANCE
SG Lighting SA/NV
Tel: +33(0) 4 94 93 00 00
info.france@sglighting.fr
www.sglighting.net

BENELUX
SG Lighting SA/NV
Tel: +32(0) 15 20 72 71
info.benelux@sglighting.net
www.sglighting.net

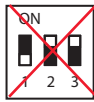
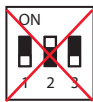
GERMANY
SG Leuchten GmbH
Tel: +49 40 23 99 44 59
info@sg-leuchten.de
www.sg-leuchten.de

INTERNATIONAL
SG Lighting Co Ltd.
Tel: +86 769 88 49 20 88
cindy@sgdgc.com
www.sg-as.com

Dipswitch

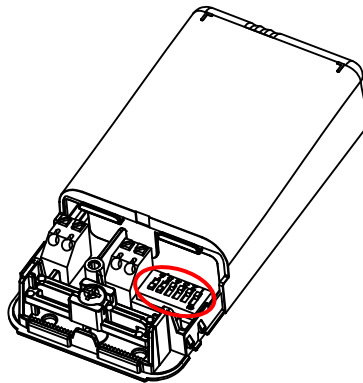
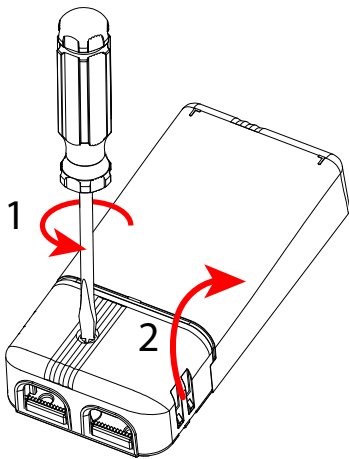


Standard



Frame Square /Wall

mA	200	250	300	350	400	450
Im	100%	125%	-	-	-	-



Frame Square Maxi

mA	250	300	350	400	450	500	550
Im	45%	55%	64%	73%	82%	90%	100%



mA	600-900	12/24/28V
-----------	---------	-----------

ELP Emergency



3h: LDM90HOST + B084

1h: LDM90HOST/1HR + B068

220-240V, 50/60Hz, Self-test



<p>Installation/Replacement of battery</p> <p>Date Sign. <i>Signature</i></p> <p>Date Sign.</p>													
		<p>4-5 years</p> <p>✓ +0°</p> <p>✗ -0°</p> <p>Please also consider local requirements.</p>											
<table border="1" style="width: 100%; border-collapse: collapse;"> <tr> <td style="text-align: center;"></td> <td>System OK/mains operation mode</td> </tr> <tr> <td style="text-align: center;"></td> <td>Duration test/ commissioning</td> </tr> <tr> <td style="text-align: center;"></td> <td>Function test</td> </tr> <tr> <td style="text-align: center;"></td> <td>LED luminaire fault</td> </tr> <tr> <td style="text-align: center;"></td> <td>Battery/test failure</td> </tr> <tr> <td style="text-align: center;"></td> <td>Battery charging failure</td> </tr> </table>		System OK/mains operation mode		Duration test/ commissioning		Function test		LED luminaire fault		Battery/test failure		Battery charging failure	
	System OK/mains operation mode												
	Duration test/ commissioning												
	Function test												
	LED luminaire fault												
	Battery/test failure												
	Battery charging failure												

Rev: 28.05.2019

NORWAY SG Armaturen AS
Tlf: +47 37 50 03 00
firmapost@sg-as.no
www.sg-as.no

SWEDEN SG Armaturen AB
Tel: +46 31 81 71 10
info@sg-ab.se
www.sg-ab.se

FRANCE SG Lighting SA/NV
Tel: +33(0) 4 94 93 00 00
info.france@sighting.fr
www.sighting.net

GERMANY SG Leuchten GmbH
Tel: +49 40 23 99 44 59
info@sg-leuchten.de
www.sg-leuchten.de

DENMARK SG Armaturen A/S
Tel: +45 70 70 72 13
info@sg-as.dk
www.sg-as.dk

FINLAND SG Armaturen Oy
info@sg-oy.fi
www.sg-oy.fi

BENELUX SG Lighting SA/NV
Tel: +32(0) 15 20 72 71
info.benelux@sighting.net
www.sighting.net

INTERNATIONAL SG Lighting Co Ltd.
Tel: +86 769 88 49 20 88
cindy@sgdgc.com
www.sg-as.com

