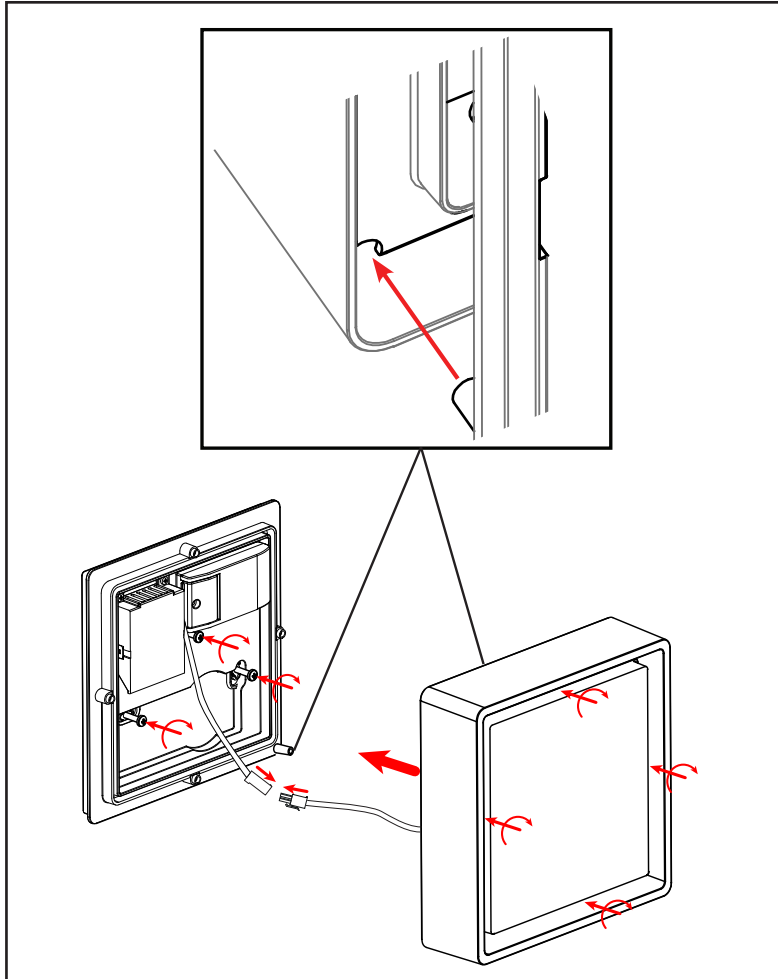


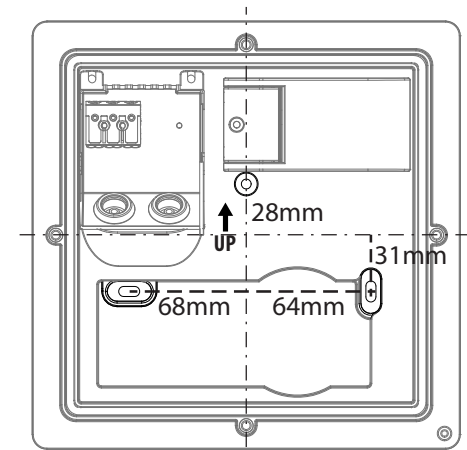
Frame Square / Wall Frame Square Maxi



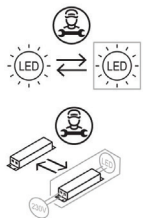
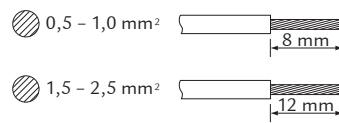
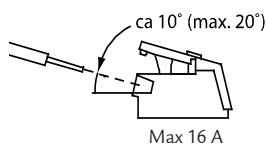
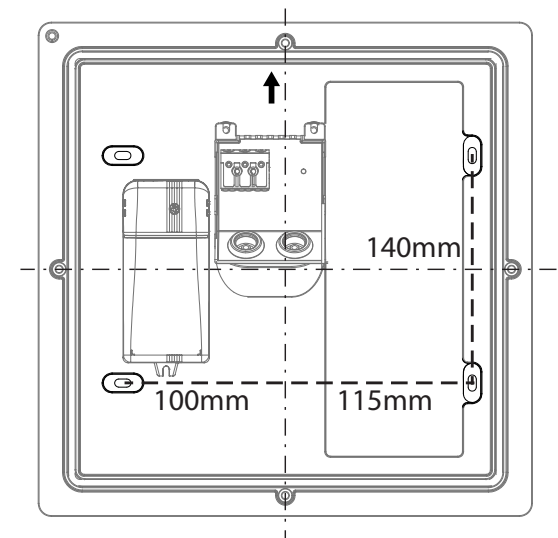
220-240V, 50/60Hz



Frame Square /Wall



Frame Square Maxi



NO: Skru av strømmen før montering.
DK: Sluk for strømmen inden montering.
SE: Stång av strømmen innan montering.
EN: Turn off power before installing.
FR: Couper le courant avant l'installation.
NL: Stroom uitschakelen voor u het toestel installeert.
DE: Vor Installationsarbeiten den Strom abschalten.
FI: Sammuta virta ennen kytkemistä

NO: Kan kun installeres og vedlikeholdes av en registrert installasjonsvirksomhet.
DK: Må kun installeres og vedlikeholdes af uddannet elektriker.
SE: Skall installeras och underhållas av behörig elektriker.
EN: Only to be installed and maintained by an authorized electrician.
FR: Doit être installé et maintenu par un électricien qualifié.
NL: Mag alleen geïnstalleerd en onderhouden worden door een bevoegde electricien.
DE: Dieses Produkt darf nur durch autorisiertes Personal (z.B. Elektro-Installateur) angeschlossen, in Betrieb genommen und gewartet werden.
FI: Asentaa ja huoltaa saa vain valtuutettu sähköasentaja

NORWAY
SG Armaturen AS

Skytterheia 25
N-4790 Lillesand

Tel: +47 37 50 03 00
firmapost@sg-as.no
www.sg-as.no

SWEDEN
SG Armaturen AB
Tel: +46 31 81 71 10
info@sg-ab.se
www.sg-ab.se

FINLAND
SG Armaturen Oy
Tel: +358 02 07 30 39 60
info@sg-oy.fi
www.sg-oy.fi

DENMARK
SG Armaturen A/S
Tel: +45 70 70 72 13
info@sg-as.dk
www.sg-as.dk

UNITED KINGDOM
SG Lighting LTD
Tel: +47 37 50 03 00
info@sglighting.co.uk
www.sglighting.co.uk

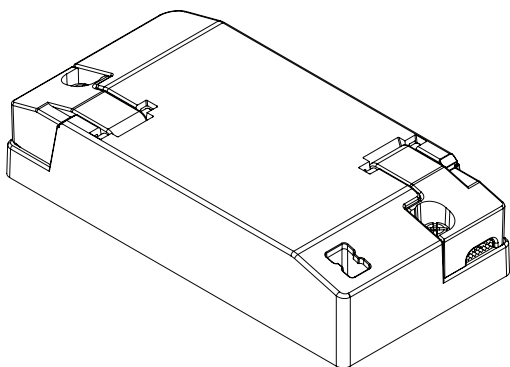
FRANCE
SG Lighting SA/NV
Tel: +33(0) 4 94 93 00 00
info.france@sglighting.fr
www.sglighting.net

BENELUX
SG Lighting SA/NV
Tel: +32(0) 15 20 72 71
info.benelux@sglighting.net
www.sglighting.net

GERMANY
SG Leuchten GmbH
Tel: +49 40 23 99 44 59
info@sg-leuchten.de
www.sg-leuchten.de

INTERNATIONAL
SG Lighting Co Ltd.
Tel: +86 769 88 49 20 88
cindy@sgdgc.com
www.sg-as.com

Dipswitch

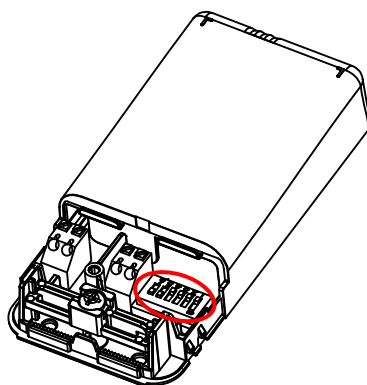
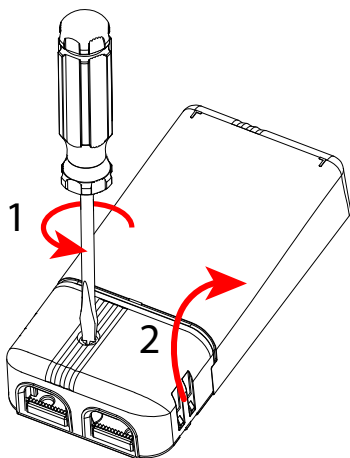


Standard



Frame Square /Wall

mA	200	250	300	350	400	450
Im	100%	125%	-	-	-	-



Standard



Frame Square Maxi

mA	250	300	350	400	450	500	550
Im	45%	55%	64%	73%	82%	90%	100%



mA	600-900	12/24/28V
-----------	---------	-----------

Sensor Dim Motion



Sensor — Slave (R.C.) — Slave (R.C.) — Max 200VA

No Com

min. 3m

With Com

Min 3 m - Max 10m

Group max 6 pcs/com

Com ⚠ Total group length: 50m

No Push

Push

NO: Impulsbryter (valgfritt)
 DK: Impulsbrytare (valgfri)
 SE: Impulsbrytare (valgfritt)
 EN: Push button (optional)
 FR: Bouton-poussoir (optionnel)
 NL: Drukknop (optioneel)
 DE: Druckknopf (optional)
 FI: Painonappi (valinnainen)

ON/Extend Hold Time

⚠ L — P Max 50m

Hold time	10 minutes	1	1
	5 minutes	0	1
	1 minute	1	0
	5 seconds	0	0

Motion sensitivity	High	1	1
	Medium	0	1
	Low	1	0
	Off	0	0

Daylight sensitivity	Low	1	1
	Medium	0	1
	High	1	0
	Off	0	0

Midnight cut	On	1
	Off	0

Basic light	On	1
	Off	0

Rev: 29.02.2024

- | | | | | |
|---|--|--|---|---|
| <p>NORWAY
 SG Armaturen AS
 Skytterheia 25
 N-4790 Lillesand
 Tel: +47 37 50 03 00
 firmapost@sg-as.no
 www.sg-as.no</p> | <p>SWEDEN
 SG Armaturen AB
 Tel: +46 31 81 71 10
 info@sg-ab.se
 www.sg-ab.se</p> | <p>DENMARK
 SG Armaturen A/S
 Tel: +45 70 70 72 13
 info@sg-as.dk
 www.sg-as.dk</p> | <p>FRANCE
 SG Lighting SA/NV
 Tel: +33(0) 4 94 93 00 00
 info.france@sglighting.fr
 www.sglighting.net</p> | <p>GERMANY
 SG Leuchten GmbH
 Tel: +49 40 23 99 44 59
 info@sg-leuchten.de
 www.sg-leuchten.de</p> |
| <p>FINLAND
 SG Armaturen Oy
 Tel: +358 02 07 30 39 60
 info@sg-oy.fi
 www.sg-oy.fi</p> | <p>UNITED KINGDOM
 SG Lighting LTD
 Tel: +47 37 50 03 00
 info@sglighting.co.uk
 www.sglighting.co.uk</p> | <p>BENELUX
 SG Lighting SA/NV
 Tel: +32(0) 15 20 72 71
 info.benelux@sglighting.net
 www.sglighting.net</p> | <p>INTERNATIONAL
 SG Lighting Co Ltd.
 Tel: +86 769 88 49 20 88
 cindy@sgdgc.com
 www.sg-as.com</p> | |

Hold time

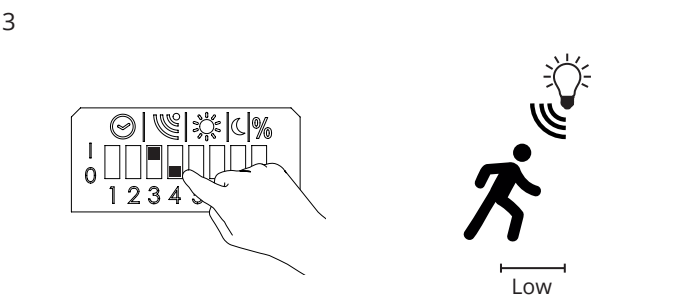
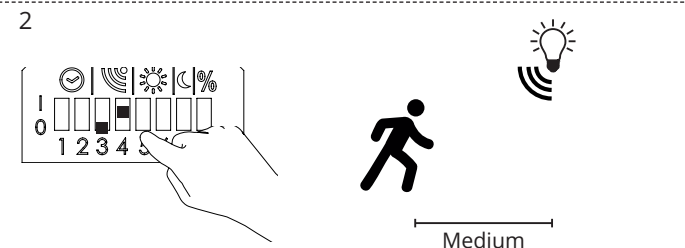
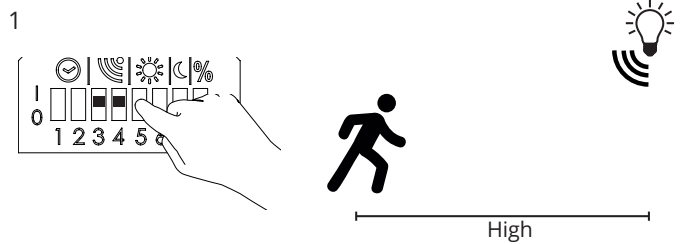
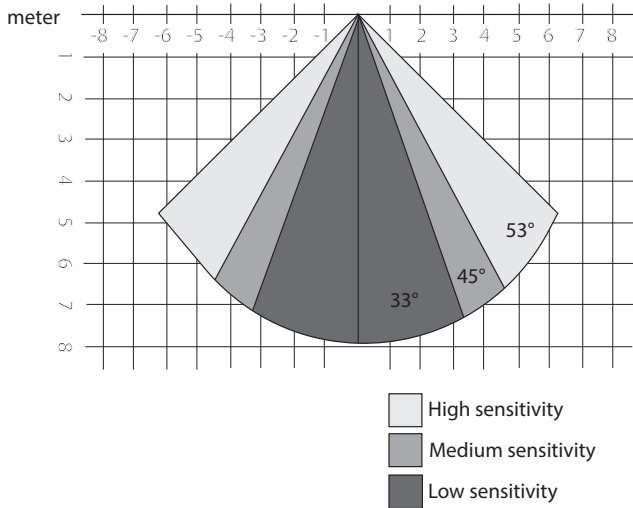


	1	2
10 min	1	1
5 min	0	1
1 min	1	0
5 sec	0	0

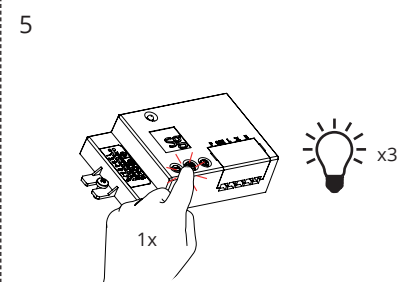
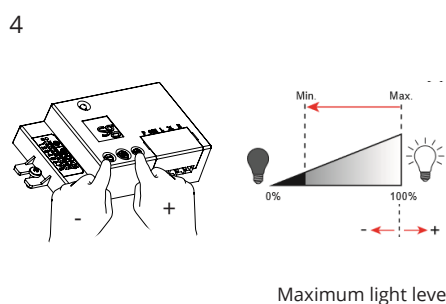
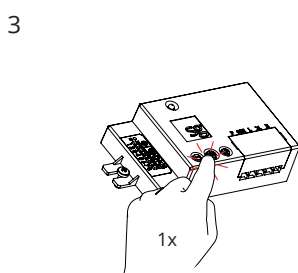
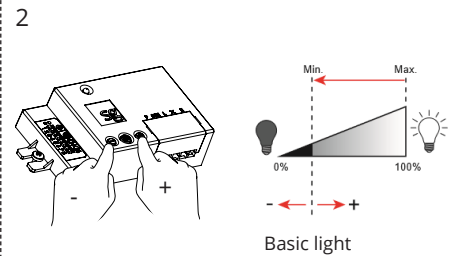
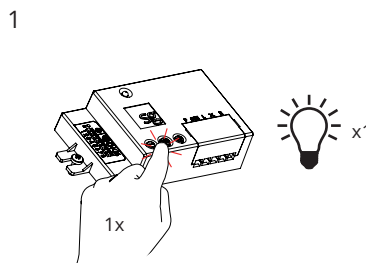
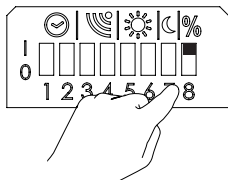


Motion sensitivity

Sensitivity	3	4
High	1	1
Medium	0	1
Low	1	0
Off	0	0



Light levels - Basic light and max light



ELP Emergency



3h: LDM90HOST + B084

1h: LDM90HOST/1HR + B068

220-240V, 50/60Hz, Self-test



Installation/Replacement of battery

Date	Sign.
dd.mm.yy	Signature
Date	Sign.

or:

MAX 2 MONTHS

4-5 years

Please also consider local requirements.

	System OK/mains operation mode
	Duration test/comissioning
	Function test
	LED luminaire fault
	Battery/test failure
	Battery charging failure

Rev: 28.05.2019

NORWAY SG Armaturen AS
Tlf:+47 37 50 03 00
firmapost@sg-as.no
www.sg-as.no

SWEDEN SG Armaturen AB
Tel: +46 31 81 71 10
info@sg-ab.se
www.sg-ab.se

FRANCE SG Lighting SA/NV
Tel: +33(0) 4 94 93 00 00
info.france@silighting.fr
www.silighting.net

GERMANY SG Leuchten GmbH
Tel: +49 40 23 99 44 59
info@sg-leuchten.de
www.sg-leuchten.de

DENMARK SG Armaturen A/S
Tel: +45 70 70 72 13
info@sg-as.dk
www.sg-as.dk

FINLAND SG Armaturen Oy
info@sg-oy.fi
www.sg-oy.fi

BENELUX SG Lighting SA/NV
Tel: +32(0) 15 20 72 71
info.benelux@silighting.net
www.silighting.net

INTERNATIONAL SG Lighting Co Ltd.
Tel: +86 769 88 49 20 88
cindy@sgdgc.com
www.sg-as.com

