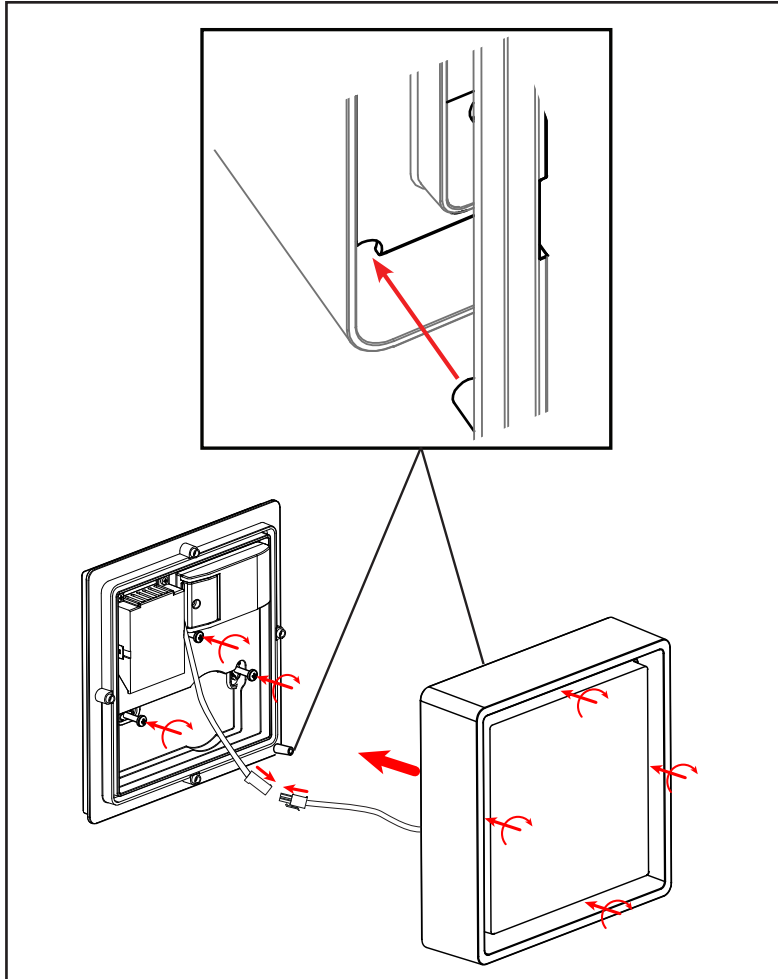


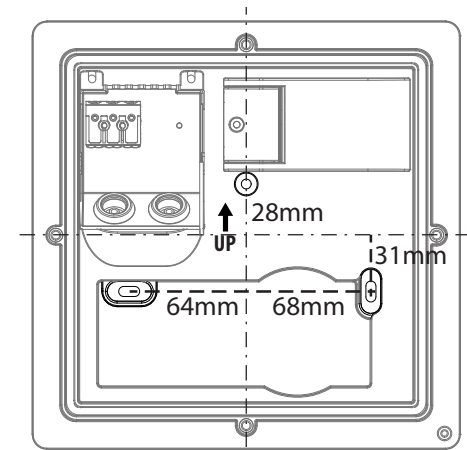
Frame Square / Wall Frame Square Maxi



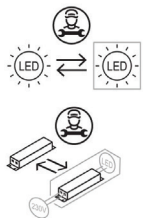
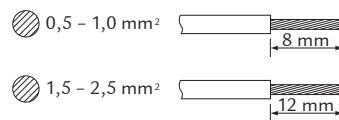
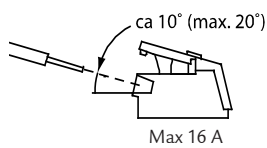
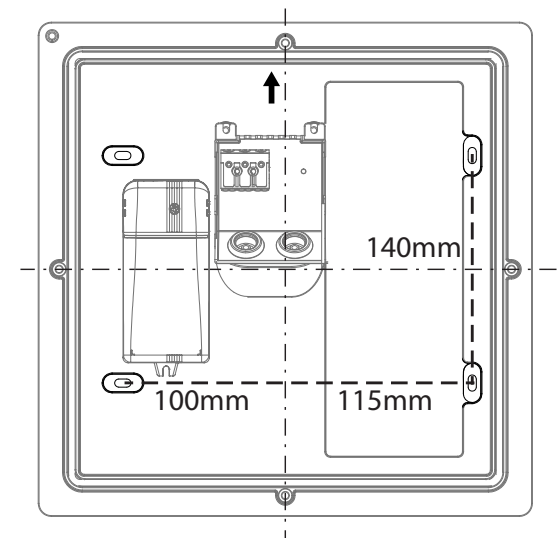
220-240V, 50/60Hz



Frame Square /Wall



Frame Square Maxi



NO: Skru av strømmen før montering.
DK: Sluk for strømmen inden montering.
SE: Stång av strømmen innan montering.
EN: Turn off power before installing.
FR: Couper le courant avant l'installation.
NL: Stroom uitschakelen voor u het toestel installeert.
DE: Vor Installationsarbeiten den Strom abschalten.
FI: Sammuta virta ennen kytkemistä

NO: Kan kun installeres og vedlikeholdes av en registrert installasjonsvirksomhet.
DK: Må kun installeres og vedlikeholdes af uddannet elektriker.
SE: Skall installeras och underhållas av behörig elektriker.
EN: Only to be installed and maintained by an authorized electrician.
FR: Doit être installé et maintenu par un électricien qualifié.
NL: Mag alleen geïnstalleerd en onderhouden worden door een bevoegde electricien.
DE: Dieses Produkt darf nur durch autorisiertes Personal (z.B. Elektro-Installateur) angeschlossen, in Betrieb genommen und gewartet werden.
FI: Asentaa ja huoltaa saa vain valtuutettu sähköasentaja

NORWAY
SG Armaturen AS

Skytterheia 25
N-4790 Lillesand

Tel: +47 37 50 03 00
firmapost@sg-as.no
www.sg-as.no

SWEDEN

SG Armaturen AB
Tel: +46 31 81 71 10
info@sg-ab.se
www.sg-ab.se

FINLAND

SG Armaturen Oy
Tel: +358 02 07 30 39 60
info@sg-oy.fi
www.sg-oy.fi

DENMARK

SG Armaturen A/S
Tel: +45 70 70 72 13
info@sg-as.dk
www.sg-as.dk

UNITED KINGDOM

SG Lighting LTD
Tel: +47 37 50 03 00
info@sglighting.co.uk
www.sglighting.co.uk

FRANCE

SG Lighting SA/NV
Tel: +33(0) 4 94 93 00 00
info.france@sglighting.fr
www.sglighting.net

BENELUX

SG Lighting SA/NV
Tel: +32(0) 15 20 72 71
info.benelux@sglighting.net
www.sglighting.net

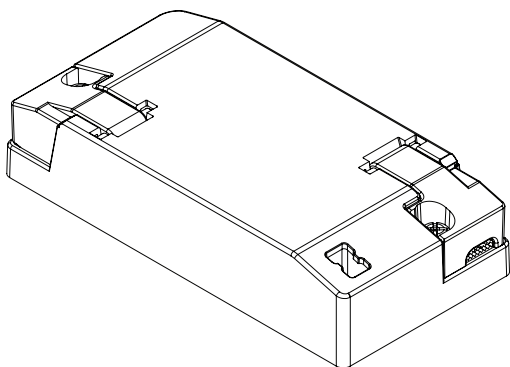
GERMANY

SG Leuchten GmbH
Tel: +49 40 23 99 44 59
info@sg-leuchten.de
www.sg-leuchten.de

INTERNATIONAL

SG Lighting Co Ltd.
Tel: +86 769 88 49 20 88
cindy@sgdgc.com
www.sg-as.com

Dipswitch

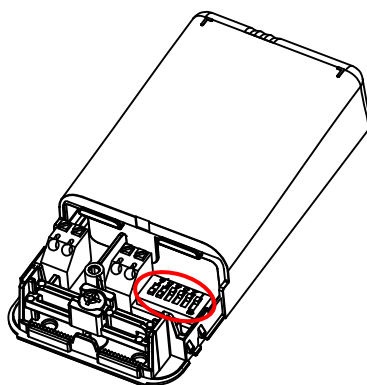
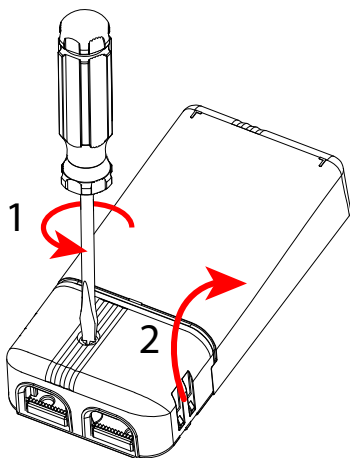


Standard



Frame Square /Wall

mA	200	250	300	350	400	450
Im	100%	125%	-	-	-	-



Standard



Frame Square Maxi

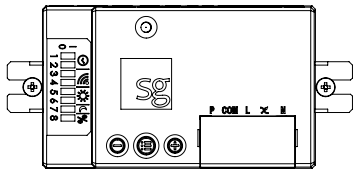
mA	250	300	350	400	450	500	550
Im	50%	60%	70%	80%	90%	100%	110%

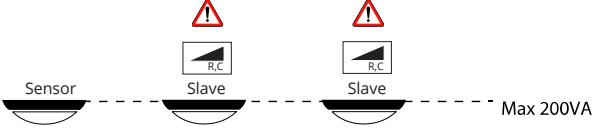


mA	600-900	12/24/28V
-----------	---------	-----------

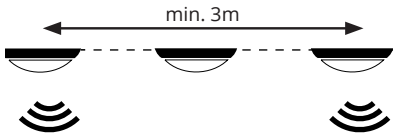
Sensor Dim

Motion and daylight

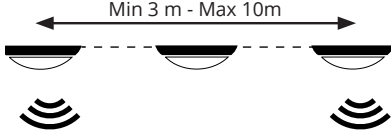





No Com



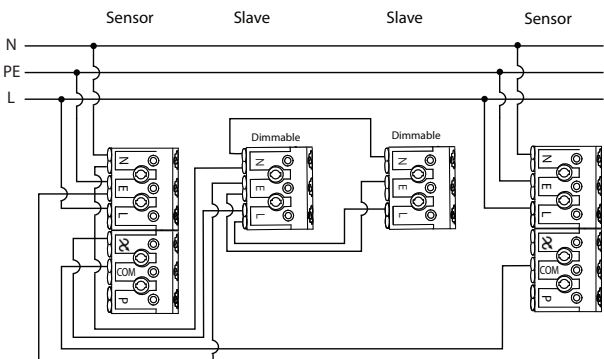
With Com



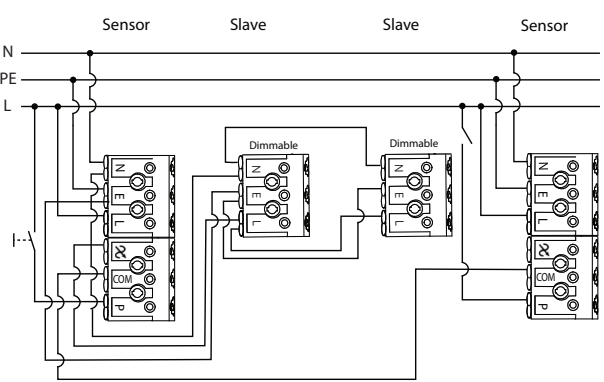
Group max 6 pcs/com

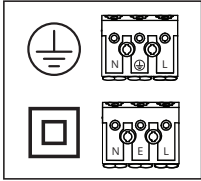


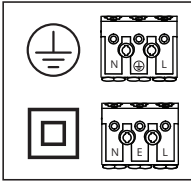
Master/Master



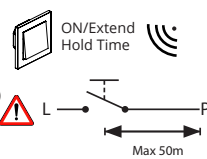
Push







NO: Impulsbryter (valgfritt)
 DK: Impulsafbryder (valgfritt)
 SE: Impulsbrytare (valgfritt)
 EN: Push button (optional)
 FR: Bouton-poussoir (optionnel)
 NL: Drukknop (optioneel)
 DE: Druckknopf (optional)
 FI: Painonappi (valinnainen)



Hold time	10 minutes	1	1
	5 minutes	0	1
	1 minute	1	0
	5 seconds	0	0

Motion sensitivity	High	1	1
	Medium	0	1
	Low	1	0
	Off	0	0

Daylight sensitivity	Low	1	1
	Medium	0	1
	High	1	0
	Off	0	0

Midnight cut	On	1
	Off	0

Basic light	On	1
	Off	0

Rev: 03.04.2024

NORWAY
SG Armaturen AS

Skytterheia 25
N-4790 Lillesand

Tel: +47 37 50 03 00
firmapost@sg-as.no
www.sg-as.no

SWEDEN

SG Armaturen AB
Tel: +46 31 81 71 10
info@sg-ab.se
www.sg-ab.se

FINLAND

SG Armaturen Oy
info@sg-oy.fi
www.sg-oy.fi

DENMARK

SG Armaturen A/S
Tel: +45 70 70 72 13
info@sg-as.dk
www.sg-as.dk

UNITED KINGDOM

SG Lighting LTD
Tel: +47 37 50 03 00
info@sglighting.co.uk
www.sglighting.co.uk

FRANCE

SG Lighting SA/NV
Tel: +33(0) 4 94 93 00 00
info.france@sglighting.fr
www.sglighting.net

BENELUX

SG Lighting SA/NV
Tel: +32(0) 15 20 72 71
info.benelux@sglighting.net
www.sglighting.net

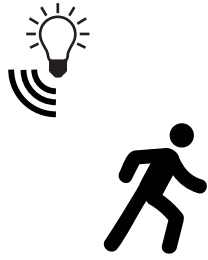
GERMANY

SG Leuchten GmbH
Tel: +49 40 23 99 44 59
info@sg-leuchten.de
www.sg-leuchten.de

INTERNATIONAL

SG Lighting Co Ltd.
Tel: +86 769 88 49 20 88
cindy@sgdgc.com
www.sg-as.com

Hold time

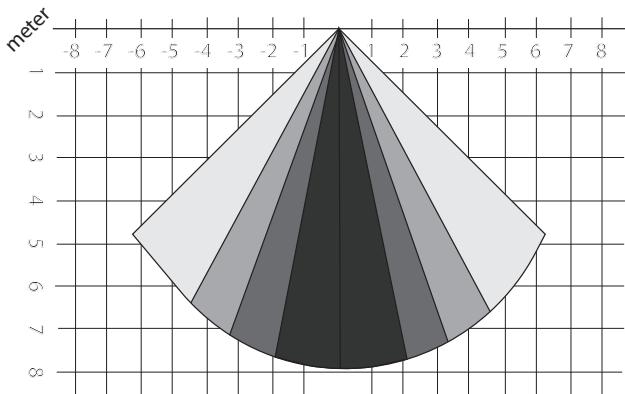


	1	2
10 min	1	1
5 min	0	1
1 min	1	0
5 sec	0	0

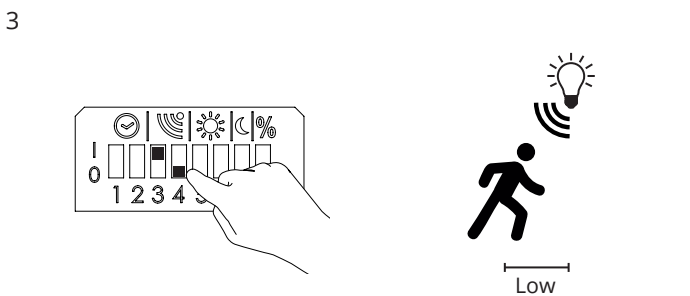
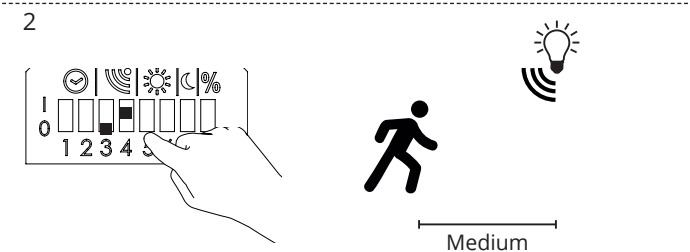
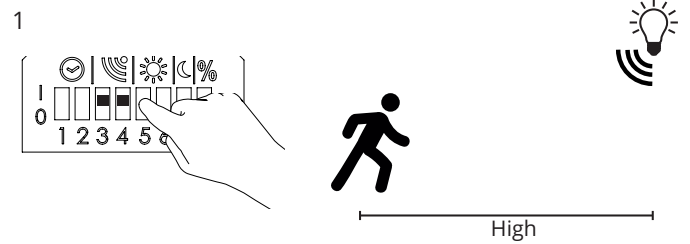


Motion sensitivity

Sensitivity	3	4
High	1	1
Medium	0	1
Low	1	0
Off	0	0

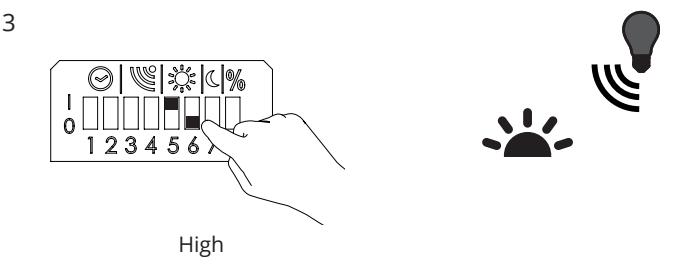
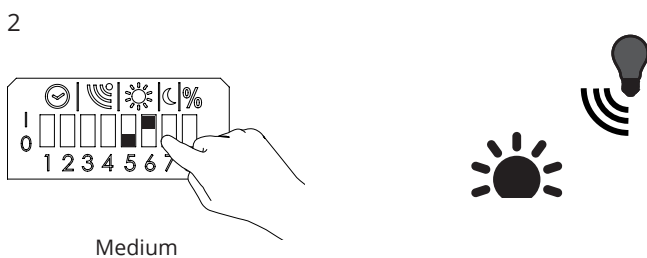
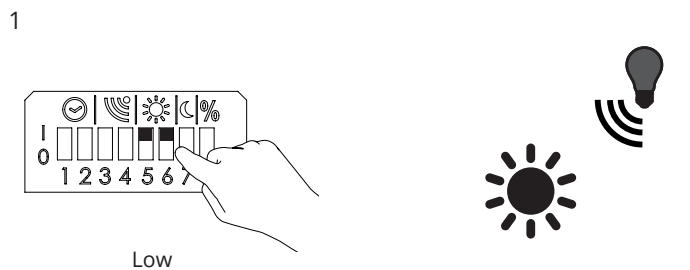


High sensitivity
 Medium- sensitivity
 Medium+ sensitivity
 Low sensitivity



Daylight sensitivity

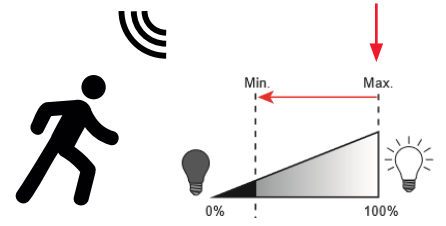
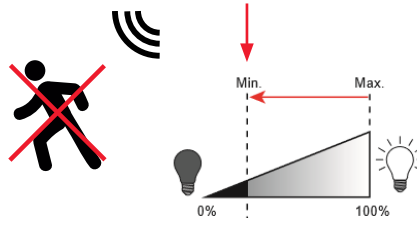
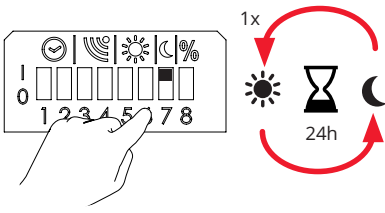
Sensitivity	5	6
Low	1	1
Medium	0	1
High	1	0
Off	0	0



Midnight cut

~00:00 - 05:00 AM

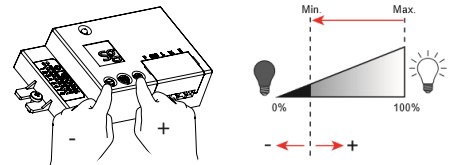
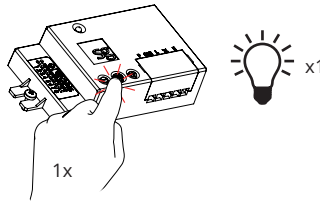
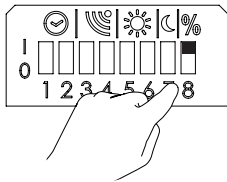
~00:00 - 05:00 AM



Light levels - Basic light and max light

1

2

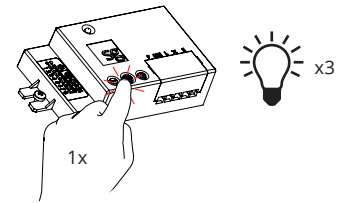
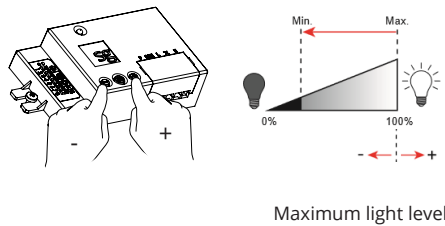
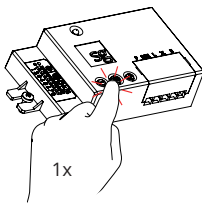


Basic light

3

4

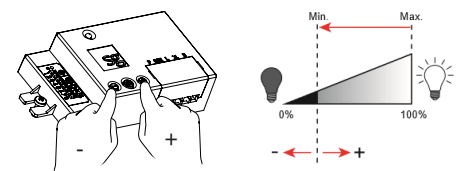
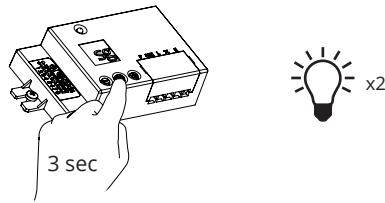
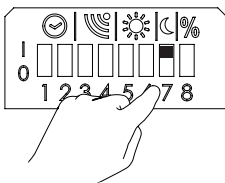
5



Light levels - Midnight cut

1

2

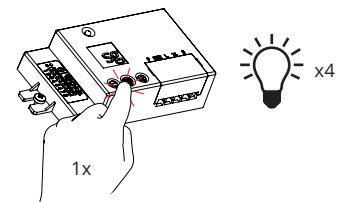
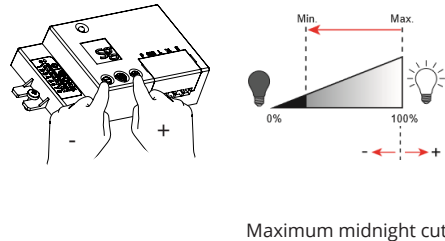
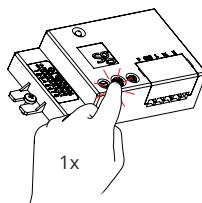


Minimum midnight cut

3

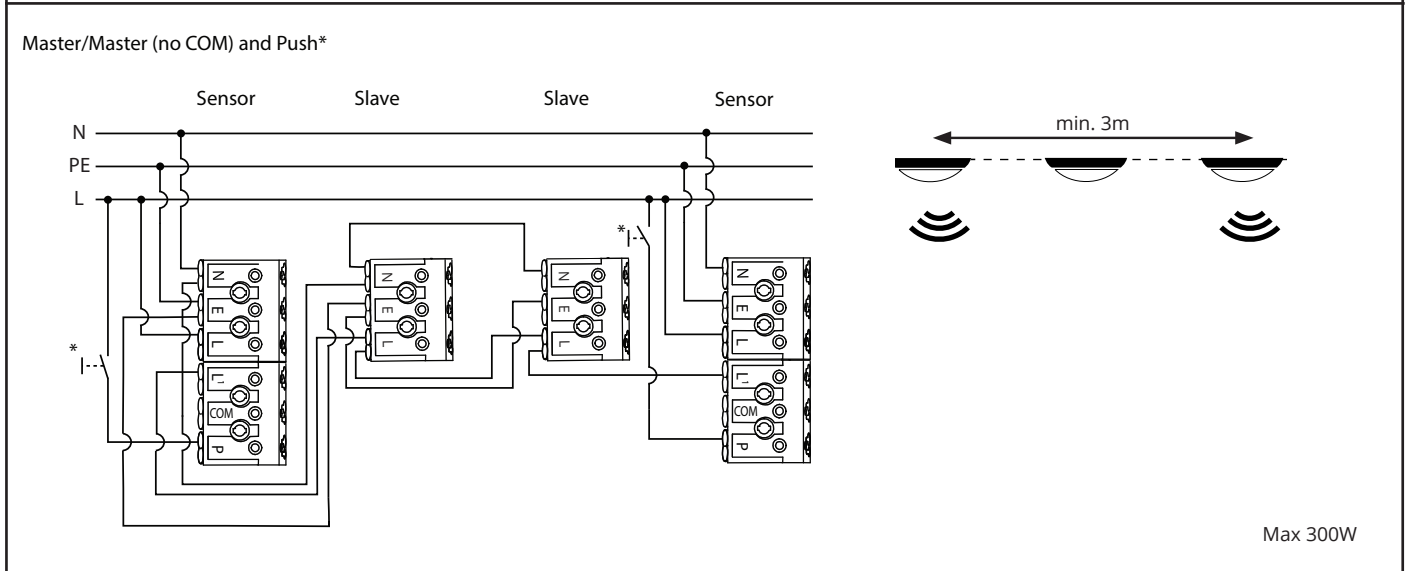
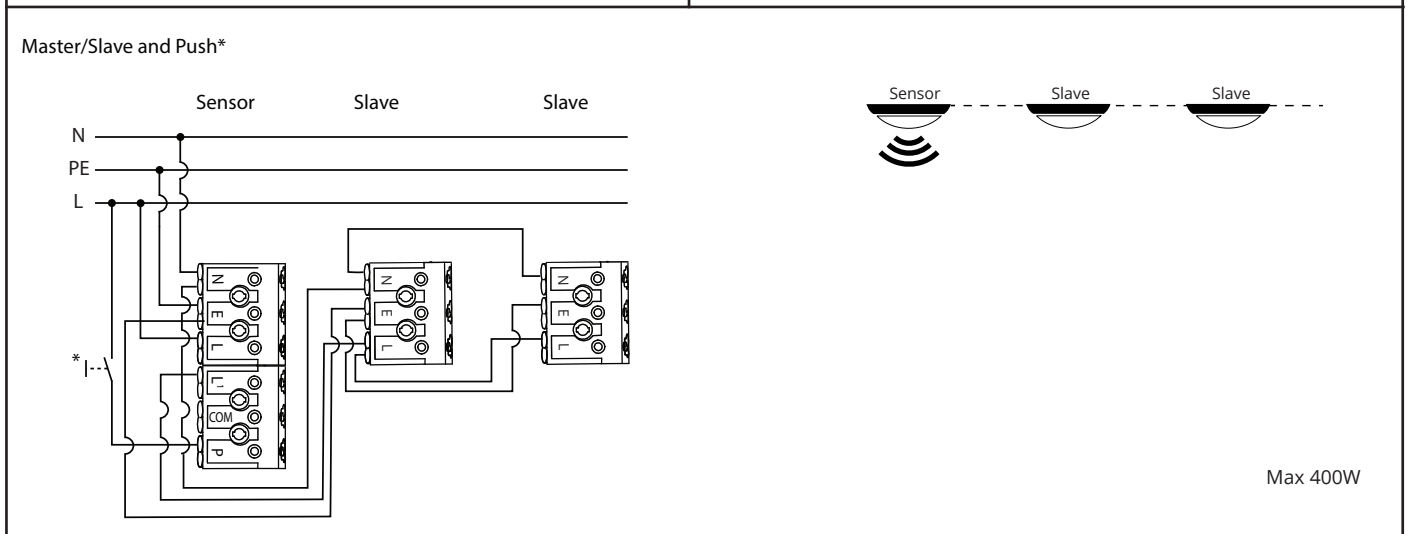
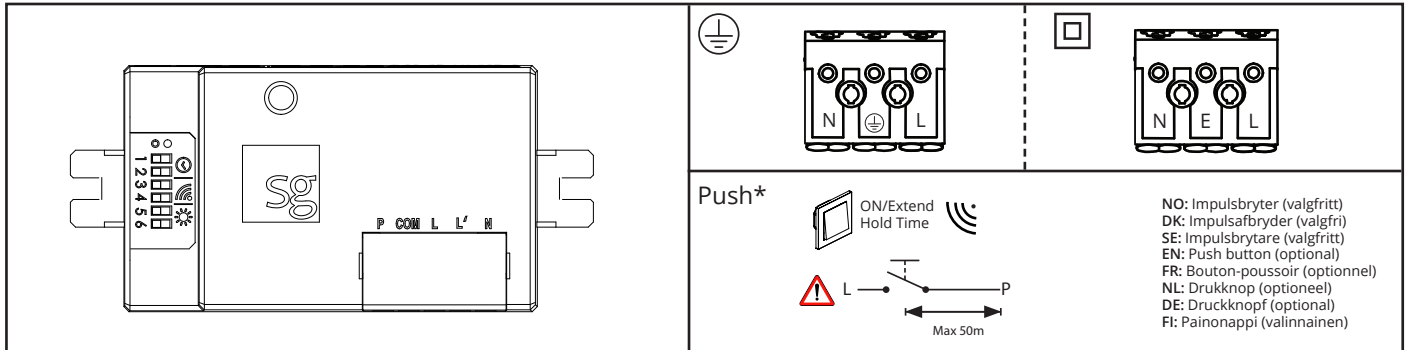
4

5



Maximum midnight cut

Basic Motion and daylight sensor



NORWAY
 SG Armaturen AS

Skytterheia 25
 N-4790 Lillesand

Tel: +47 37 50 03 00
 firmapost@sg-as.no
 www.sg-as.no

SWEDEN

SG Armaturen AB
 Tel: +46 31 81 71 10
 info@sg-ab.se
 www.sg-ab.se

FINLAND

SG Armaturen Oy
 info@sg-oy.fi
 www.sg-oy.fi

DENMARK

SG Armaturen A/S
 Tel: +45 70 70 72 13
 info@sg-as.dk
 www.sg-as.dk

UNITED KINGDOM

SG Lighting LTD
 Tel: +47 37 50 03 00
 info@sglighting.co.uk
 www.sglighting.co.uk

FRANCE

SG Lighting SA/NV
 Tel: +33(0) 4 94 93 00 00
 info.france@sglighting.fr
 www.sglighting.net

BENELUX

SG Lighting SA/NV
 Tel: +32(0) 15 20 72 71
 info.benelux@sglighting.net
 www.sglighting.net

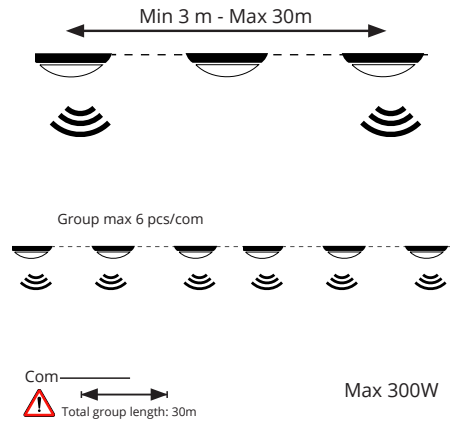
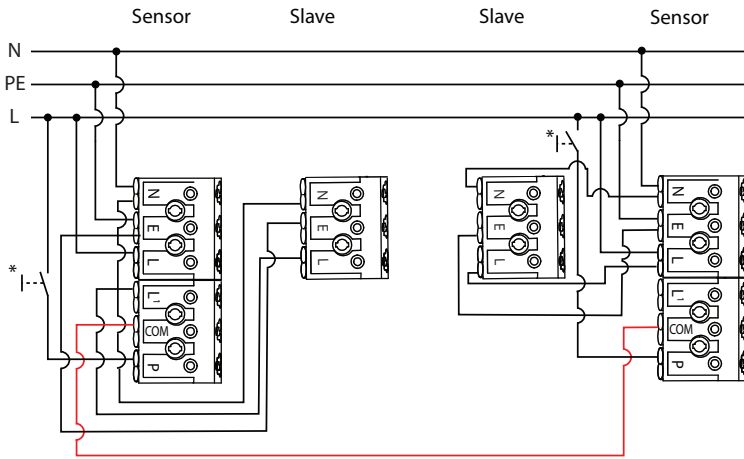
GERMANY

SG Leuchten GmbH
 Tel: +49 40 23 99 44 59
 info@sg-leuchten.de
 www.sg-leuchten.de

INTERNATIONAL

SG Lighting Co Ltd.
 Tel: +86 769 88 49 20 88
 cindy@sgdgc.com
 www.sg-as.com

Master/Master (with COM) and Push*



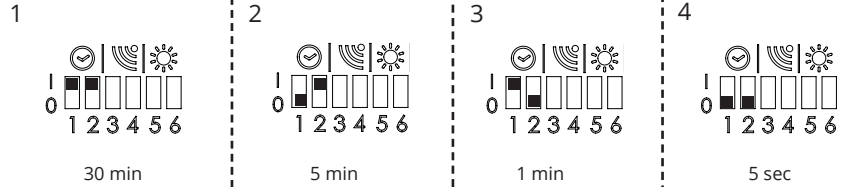
Hold time	1 2	
	30 minutes	1
5 minutes	0	1
1 minute	1	0
5 seconds	0	0

Motion sensitivity	3 4	
	High	1
Medium +	0	1
Medium -	1	0
Low	0	0

Daylight sensitivity	5 6	
	High	1
Medium +	0	1
Medium -	1	0
Low	0	0

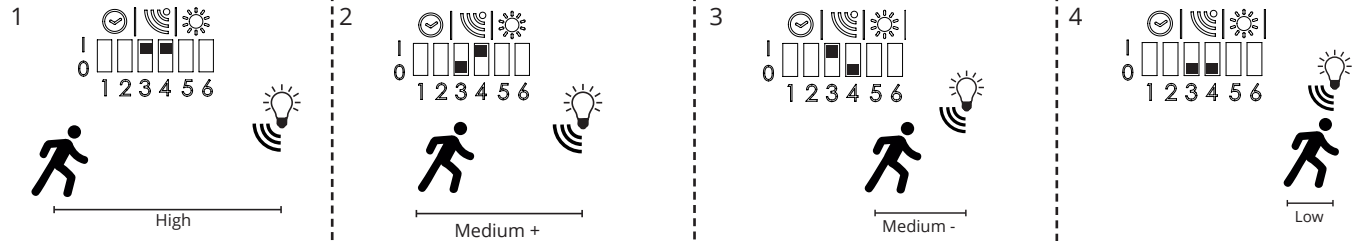
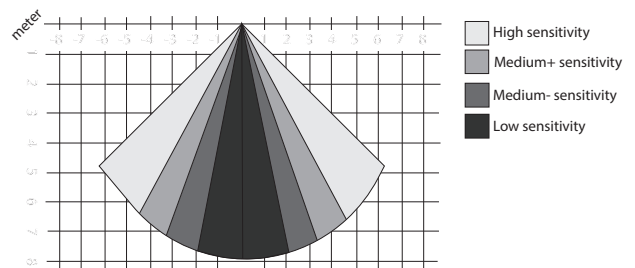
Hold time

Hold time	1 2	
	30 min	1
5 min	0	1
1 min	1	0
5 sec	0	0



Motion sensitivity

Sensitivity	3	4
High	1	1
Medium +	0	1
Medium -	1	0
Low	0	0



Daylight sensitivity

Sensitivity	5	6
Low	1	1
Medium -	0	1
Medium +	1	0
High	0	0

