

Frame Frame Mini



220-240V, 50/60Hz

<p>Frame Mini</p>	<p>Frame</p>	
<p>ca 10° (max. 20°) Max 16 A</p> <p>0,5 - 1,0 mm² 8 mm</p> <p>1,5 - 2,5 mm² 12 mm</p>		
<p>Min 55mm 40mm Ø8mm</p>		
<p>NO: Skru av strømmen før montering. DK: Sluk for strømmen inden montering. SE: Stäng av strømmen innan montering. EN: Turn off power before installing. FR: Couper le courant avant l'installation. NL: Stroom uitschakelen voor u het toestel installeert. DE: Vor Installationsarbeiten den Strom abschalten. FI: Sammuta virta ennen kytkemistä</p> <p>2: Replaceable (LED only) light source by a professional</p> <p>3: Replaceable control gear by a professional</p>		<p>NO: Kan kun installeres og vedlikeholdes av en registrert installasjonsvirksomhet. DK: Må kun installeres og vedligeholdes af uddannet elektriker. SE: Skall installeras och underhållas av behörig elektriker. EN: Only to be installed and maintained by an authorized electrician. FR: Doit être installé et maintenu par un électricien qualifié. NL: Mag alleen geïnstalleerd en onderhouden worden door een bevoegde elektricien. DE: Dieses Produkt darf nur durch autorisiertes Personal (z.B. Elektro-Installateur) angeschlossen, in Betrieb genommen und gewartet werden. FI: Asentaa ja huoltaa saa vain valtuutettu sähköasentaja</p>

NORWAY
SG Armaturen AS
Skytterheia 25
N-4790 Lillesand

SWEDEN
SG Armaturen AB
Tel: +46 31 81 71 10
info@sg-ab.se
www.sg-ab.se

DENMARK
SG Armaturen A/S
Tel: +45 70 70 72 13
info@sg-as.dk
www.sg-as.dk

FRANCE
SG Lighting SA/NV
Tel: +33(0) 4 94 93 00 00
info.france@sighting.net
www.sighting.net

GERMANY
SG Leuchten GmbH
Tel: +49 40 23 99 44 59
info@sg-leuchten.de
www.sg-leuchten.de

Tel: +47 37 50 03 00
firmapost@sg-as.no
www.sg-as.no

FINLAND
SG Armaturen Oy
Tel: +358 02 07 30 39 60
info@sg-oy.fi
www.sg-oy.fi

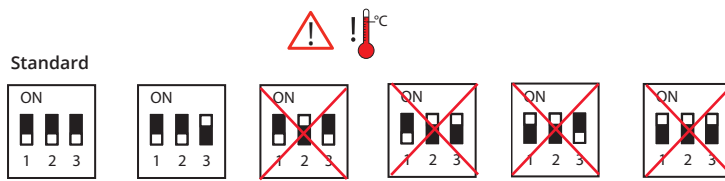
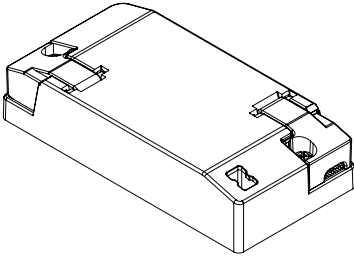
UNITED KINGDOM
SG Lighting LTD
Tel: +47 37 50 03 00
info@sighting.co.uk
www.sighting.co.uk

BENELUX
SG Lighting SA/NV
Tel: +32(0) 15 20 72 71
info.benelux@sighting.net
www.sighting.net

INTERNATIONAL
SG Lighting Co Ltd.
Tel: +86 769 88 49 20 88
cindy@sgdgc.com
www.sg-as.com

Rev: 03.07.2024

Dipswitch



mA	200	250	300	350	400	450
Im	100%	125%	-	-	-	-

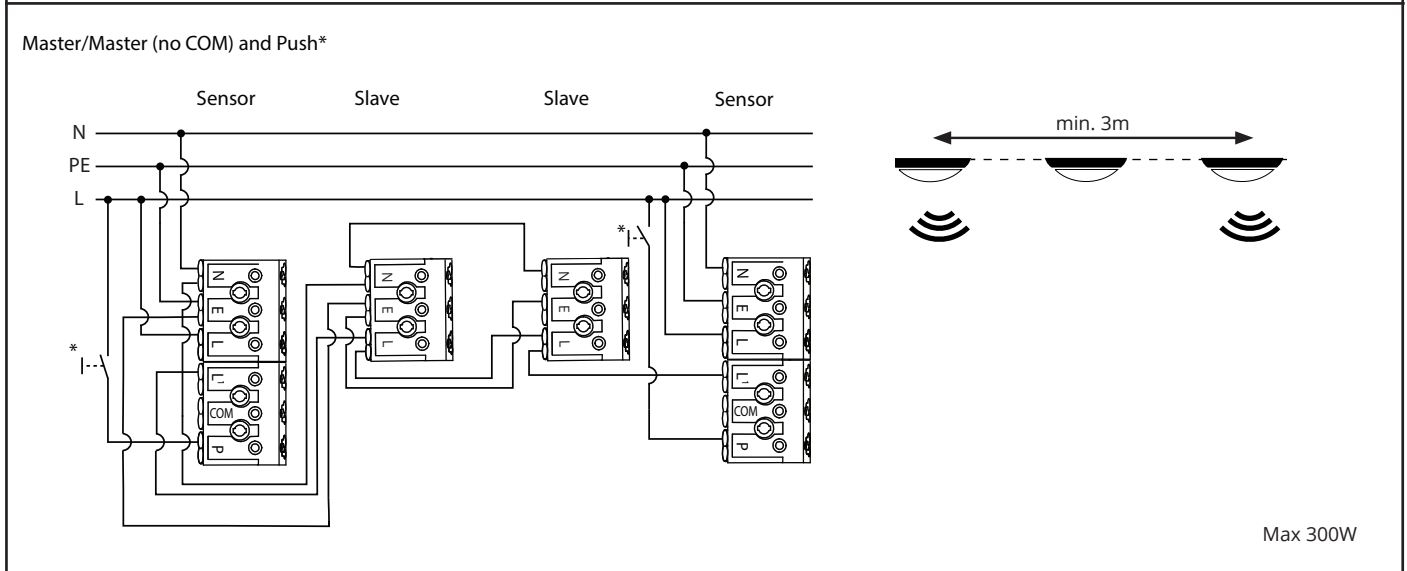
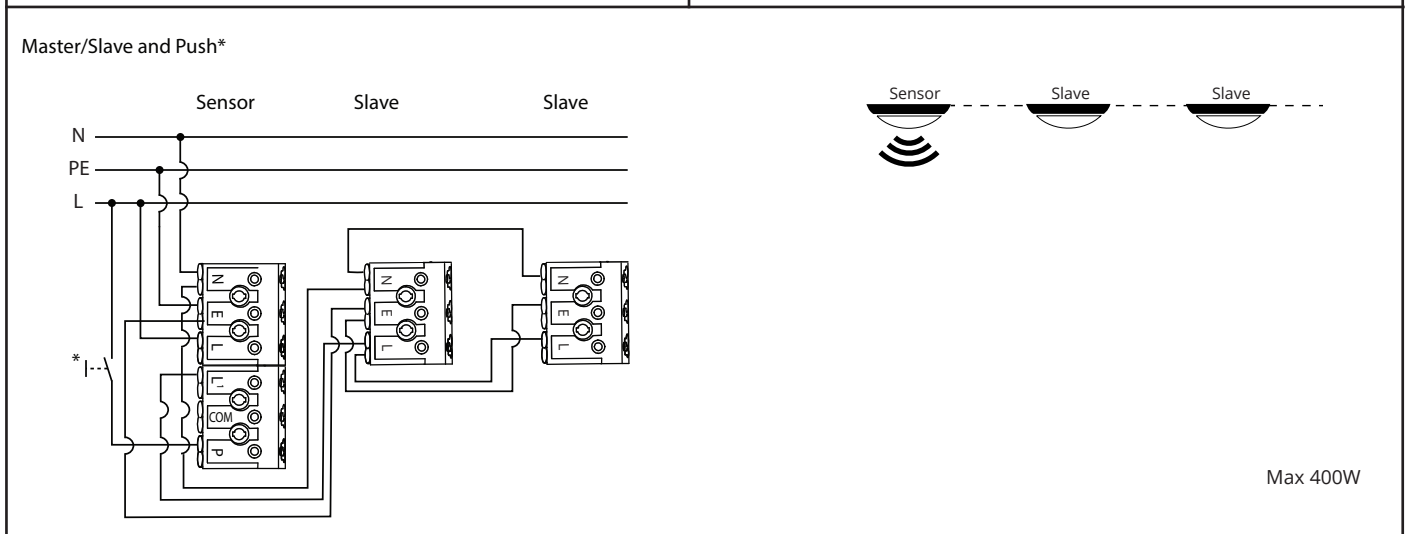
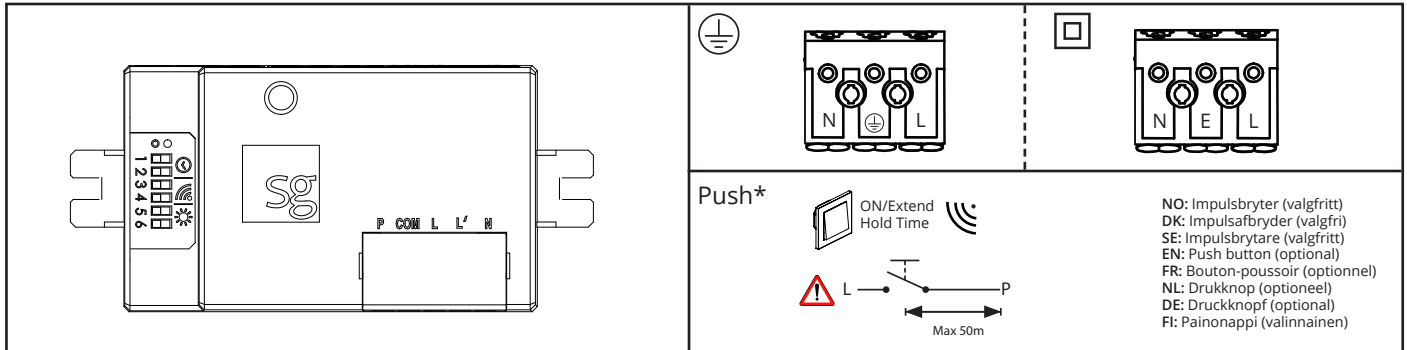
Frame

Standard

mA	185
Im	100%

Frame Mini

Basic Motion and daylight sensor



NORWAY
SG Armaturen AS

Skytterheia 25
N-4790 Lillesand

Tel: +47 37 50 03 00
firmapost@sg-as.no
www.sg-as.no

SWEDEN

SG Armaturen AB
Tel: +46 31 81 71 10
info@sg-ab.se
www.sg-ab.se

FINLAND

SG Armaturen Oy
info@sg-oy.fi
www.sg-oy.fi

DENMARK

SG Armaturen A/S
Tel: +45 70 70 72 13
info@sg-as.dk
www.sg-as.dk

UNITED KINGDOM

SG Lighting LTD
Tel: +47 37 50 03 00
info@sglighting.co.uk
www.sglighting.co.uk

FRANCE

SG Lighting SA/NV
Tel: +33(0) 4 94 93 00 00
info.france@sglighting.fr
www.sglighting.net

BENELUX

SG Lighting SA/NV
Tel: +32(0) 15 20 72 71
info.benelux@sglighting.net
www.sglighting.net

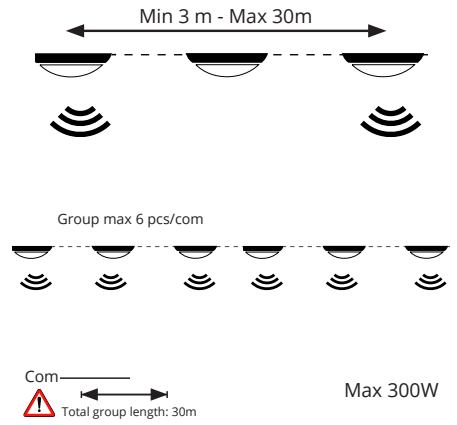
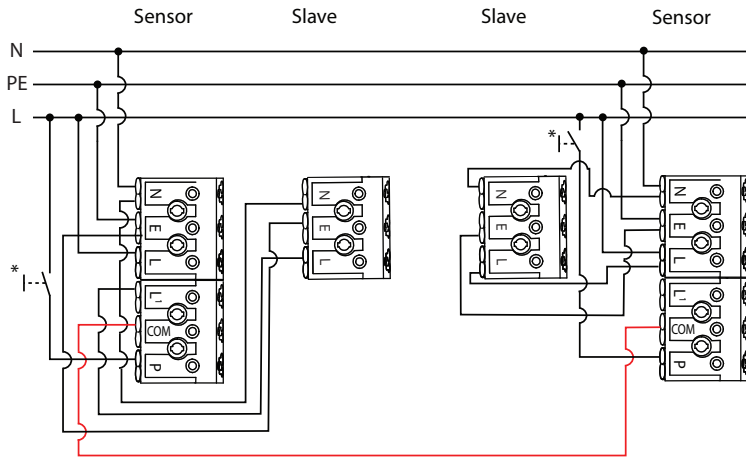
GERMANY

SG Leuchten GmbH
Tel: +49 40 23 99 44 59
info@sg-leuchten.de
www.sg-leuchten.de

INTERNATIONAL

SG Lighting Co Ltd.
Tel: +86 769 88 49 20 88
cindy@sgdgc.com
www.sg-as.com

Master/Master (with COM) and Push*



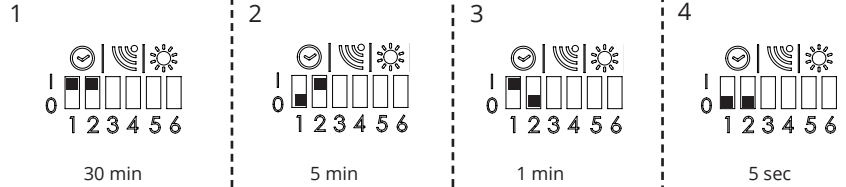
Hold time		1	2
	30 minutes	1	1
	5 minutes	0	1
	1 minute	1	0
	5 seconds	0	0

Motion sensitivity		3	4
	High	1	1
	Medium +	0	1
	Medium -	1	0
	Low	0	0

Daylight sensitivity		5	6
	High	1	1
	Medium +	0	1
	Medium -	1	0
	Low	0	0

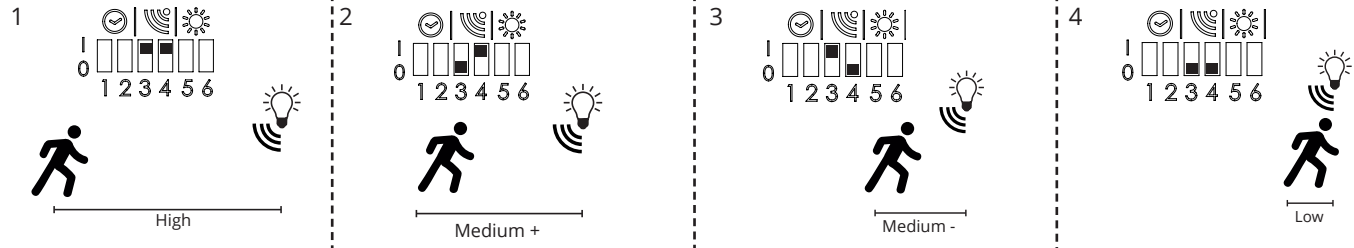
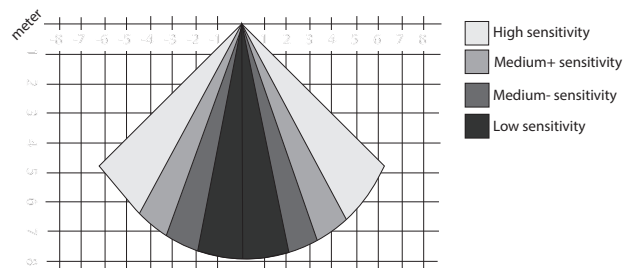
Hold time

	1	2
30 min	1	1
5 min	0	1
1 min	1	0
5 sec	0	0



Motion sensitivity

Sensitivity	3	4
High	1	1
Medium +	0	1
Medium -	1	0
Low	0	0



Daylight sensitivity

Sensitivity	5	6
Low	1	1
Medium -	0	1
Medium +	1	0
High	0	0

