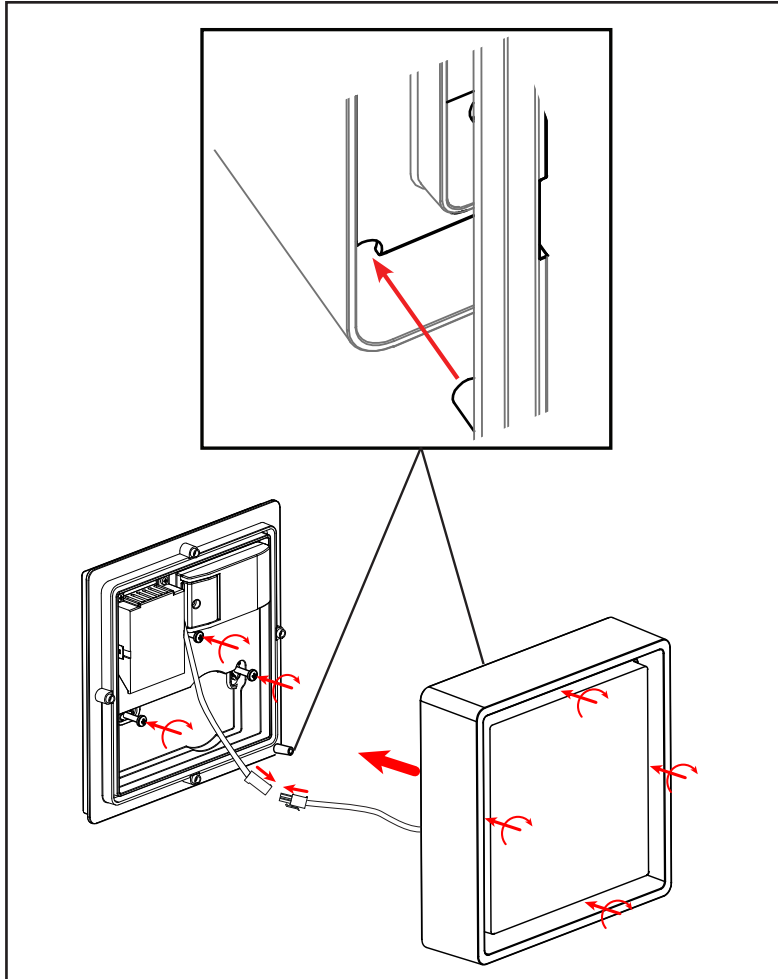


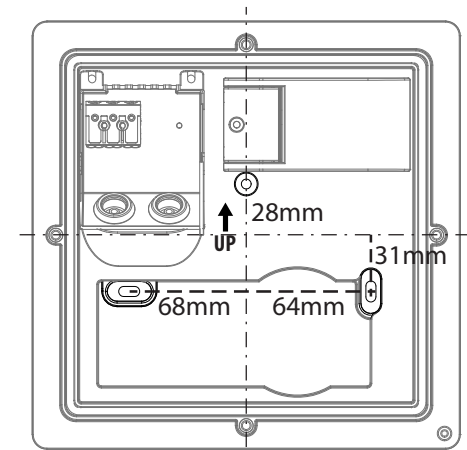
Frame Square / Wall Frame Square Maxi



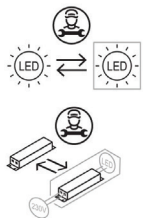
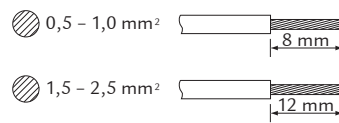
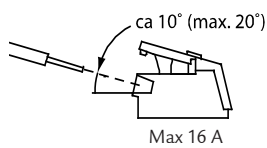
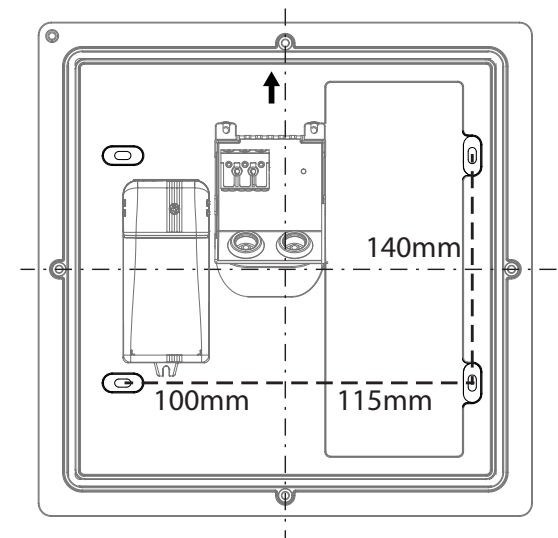
220-240V, 50/60Hz



Frame Square /Wall



Frame Square Maxi



NO: Skru av strømmen før montering.
DK: Sluk for strømmen inden montering.
SE: Stång av strømmen innan montering.
EN: Turn off power before installing.
FR: Couper le courant avant l'installation.
NL: Stroom uitschakelen voor u het toestel installeert.
DE: Vor Installationsarbeiten den Strom abschalten.
FI: Sammuta virta ennen kytkemistä

NO: Kan kun installeres og vedlikeholdes av en registrert installasjonsvirksomhet.
DK: Må kun installeres og vedlikeholdes af uddannet elektriker.
SE: Skall installeras och underhållas av behörig elektriker.
EN: Only to be installed and maintained by an authorized electrician.
FR: Doit être installé et maintenu par un électricien qualifié.
NL: Mag alleen geïnstalleerd en onderhouden worden door een bevoegde electricien.
DE: Dieses Produkt darf nur durch autorisiertes Personal (z.B. Elektro-Installateur) angeschlossen, in Betrieb genommen und gewartet werden.
FI: Asentaa ja huoltaa saa vain valtuutettu sähköasentaja

NORWAY
SG Armaturen AS

Skytterheia 25
N-4790 Lillesand

Tel: +47 37 50 03 00
firmapost@sg-as.no
www.sg-as.no

SWEDEN

SG Armaturen AB
Tel: +46 31 81 71 10
info@sg-ab.se
www.sg-ab.se

FINLAND

SG Armaturen Oy
Tel: +358 02 07 30 39 60
info@sg-oy.fi
www.sg-oy.fi

DENMARK

SG Armaturen A/S
Tel: +45 70 70 72 13
info@sg-as.dk
www.sg-as.dk

UNITED KINGDOM

SG Lighting LTD
Tel: +47 37 50 03 00
info@sglighting.co.uk
www.sglighting.co.uk

FRANCE

SG Lighting SA/NV
Tel: +33(0) 4 94 93 00 00
info.france@sglighting.fr
www.sglighting.net

BENELUX

SG Lighting SA/NV
Tel: +32(0) 15 20 72 71
info.benelux@sglighting.net
www.sglighting.net

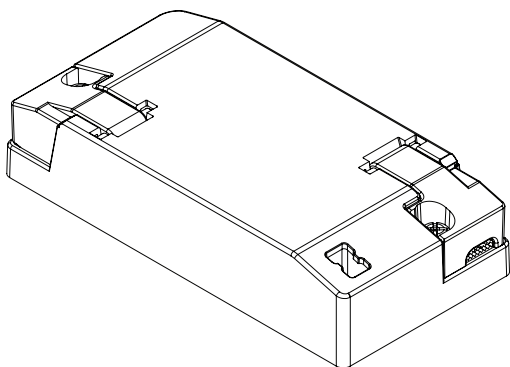
GERMANY

SG Leuchten GmbH
Tel: +49 40 23 99 44 59
info@sg-leuchten.de
www.sg-leuchten.de

INTERNATIONAL

SG Lighting Co Ltd.
Tel: +86 769 88 49 20 88
cindy@sgdgc.com
www.sg-as.com

Dipswitch

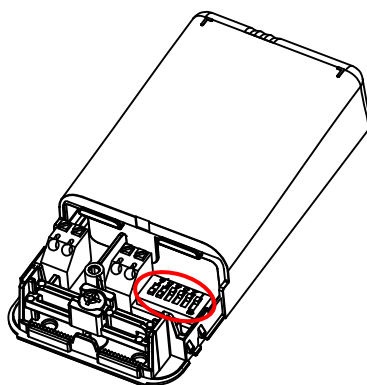
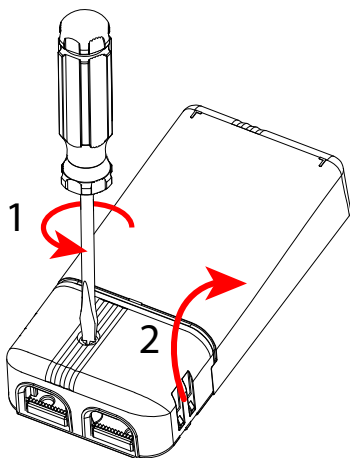


Standard



Frame Square /Wall

| | | | | | | |
|-----------|-------------|------|-----|-----|-----|-----|
| mA | 200 | 250 | 300 | 350 | 400 | 450 |
| Im | 100% | 125% | - | - | - | - |



Frame Square Maxi

| | | | | | | | |
|-----------|-----|-----|-----|-----|-----|-----|------|
| mA | 250 | 300 | 350 | 400 | 450 | 500 | 550 |
| Im | 45% | 55% | 64% | 73% | 82% | 90% | 100% |



| | | |
|-----------|---------|-----------|
| mA | 600-900 | 12/24/28V |
|-----------|---------|-----------|

Basic Motion and daylight sensor

Slave Slave Max 200VA

Sensor Sensor

NO: Max antall armaturer er begrenset av sikringen
 DK: Det maksimale antal armaturer er begrænset af afbryderen
 SE: Max antal armaturer begränsas av säkringen.
 EN: Max number of fixtures is limited by the circuit breaker
 FR: Le nombre maximum de montages est limité par le disjoncteur
 NL: Max. aantal armaturen beperkt door de stroomonderbreker
 DE: Die maximale Anzahl der Geräte ist abhängig vom eingesetzten Leitungsschutzschalter
 FI: Valaisinten maksimimäärä määrätty sulakkeen koon mukaan

min. 3m

Push

No Push

| | | | |
|-----------|------------|----------|----------|
| | | 1 | 2 |
| Hold time | 10 minutes | 1 | 1 |
| | 5 minutes | 0 | 1 |
| | 1 minute | 1 | 0 |
| | 5 seconds | 0 | 0 |

| | | | |
|--------------------|--------|----------|----------|
| | | 3 | 4 |
| Motion sensitivity | High | 1 | 1 |
| | Medium | 0 | 1 |
| | Low | 1 | 0 |
| | Off | 0 | 0 |

| | | | |
|----------------------|--------|----------|----------|
| | | 5 | 6 |
| Daylight sensitivity | Low | 1 | 1 |
| | Medium | 0 | 1 |
| | High | 1 | 0 |
| | Off | 0 | 0 |

Hold time

| | | |
|--------|----------|----------|
| | 1 | 2 |
| 10 min | 1 | 1 |
| 5 min | 0 | 1 |
| 1 min | 1 | 0 |
| 5 sec | 0 | 0 |

NORWAY
 SG Armaturen AS
 Skytterheia 25
 N-4790 Lillesand

SWEDEN
 SG Armaturen AB
 Tel: +46 31 81 71 10
 info@sg-ab.se
 www.sg-ab.se

DENMARK
 SG Armaturen A/S
 Tel: +45 70 70 72 13
 info@sg-as.dk
 www.sg-as.dk

FRANCE
 SG Lighting SA/NV
 Tel: +33(0) 4 94 93 00 00
 info.france@sglighting.fr
 www.sglighting.net

GERMANY
 SG Leuchten GmbH
 Tel: +49 40 23 99 44 59
 info@sg-leuchten.de
 www.sg-leuchten.de

Tel: +47 37 50 03 00
 firmapost@sg-as.no
 www.sg-as.no

FINLAND
 SG Armaturen Oy
 info@sg-oy.fi
 www.sg-oy.fi

UNITED KINGDOM
 SG Lighting LTD
 Tel: +47 37 50 03 00
 info@sglighting.co.uk
 www.sglighting.co.uk

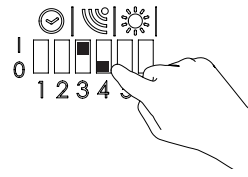
BENELUX
 SG Lighting SA/NV
 Tel: +32(0) 15 20 72 71
 info.benelux@sglighting.net
 www.sglighting.net

INTERNATIONAL
 SG Lighting Co Ltd.
 Tel: +86 769 88 49 20 82
 cindy@sgdgc.com
 www.sg-as.com

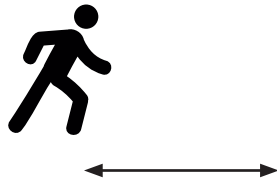
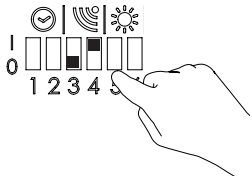
Motion sensitivity

| | 3 | 4 |
|--------|---|---|
| High | 1 | 1 |
| Medium | 0 | 1 |
| Low | 1 | 0 |
| Off | 0 | 0 |

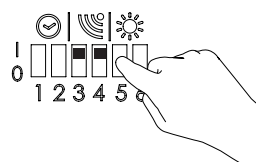
1



2



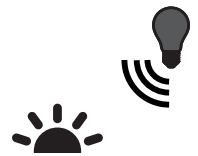
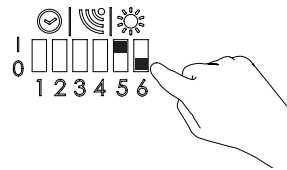
3



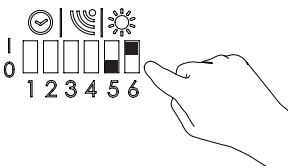
Daylight sensitivity

| | 5 | 6 |
|--------|---|---|
| Low | 1 | 1 |
| Medium | 0 | 1 |
| High | 1 | 0 |
| Off | 0 | 0 |

1



2



3

