

Wax Black 13° 1370/2460lm 3000K Ra>80 On/Off

Article code: 8246091480
 EAN: 5703821173117



• = This article is produced by order, with an expected delivery time of 3-4 weeks.



Electrical

Wattage: 15/30W
 Voltage: 220-240V
 Max. luminaires per circuit breaker: B10: 28, B16: 44, C10: 46, C16: 75

Light technic

Type of light source: LED
 Luminous flux: 1370/2460lm
 Efficacy: 91/82lm/W
 Colour temperature: 3000K
 Colour rendering (CRI): Ra>80
 MacAdams factor: SDCM: 2
 Lifetime: L90/B10>100,000
 Light distribution: Direct
 Optic: Reflector spot 13dg.
 Beam angle: 13°

Control/Dimming

Type: On/Off

Protection

Luminaire class: Class II

Energy and approvals

Contains light source of energy class: E
 Breeam: Fulfils Hea 01 for flicker free lighting
 BVB: Yes

Materials and finish

Housing: Die-cast aluminium
 Colour: Black (20% gloss)
 Optics: Tempered glass

Mounting/Connection

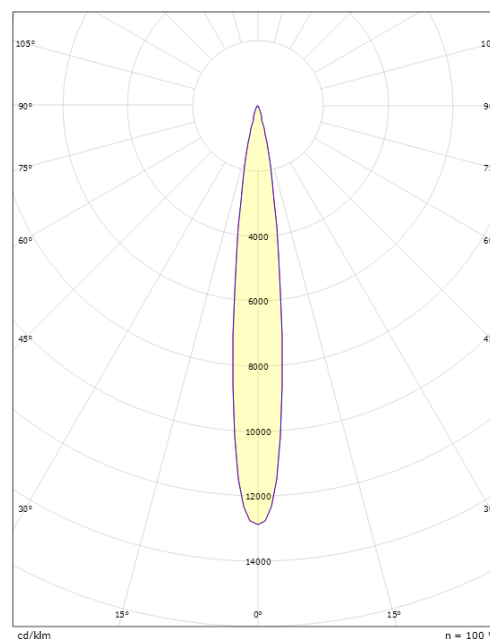
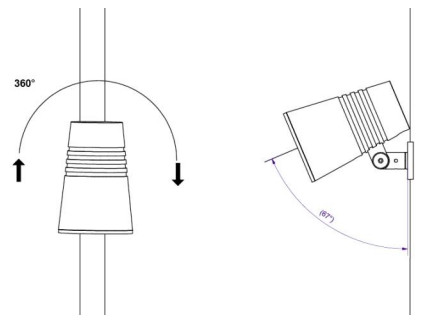
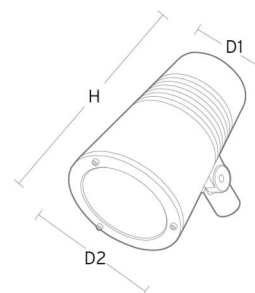
Mounting: Pole, wall, bollard or earthing rod, Outdoor
 Cable: Cable 2x1mm² 10m
 Wind projected area: 0,0403m² - Max 5,3 kg

Dimensions

Height (mm) H: 268
 Diameter (mm) D: 180
 Weight (kg) gross/net: 4.66 / 4.46

Packaging

Packing dimensions (mm): 275 x 275 x 275



cd/km
 — C0/C180
 — C90/C270

η = 100 %



5 7 0 3 8 2 1 1 7 3 1 1 7