

Wax Black 27° 3590lm 3000K Ra>80 On/Off

Article code: 8246091516
 EAN: 5703821173230



Electrical

System wattage: 41W
 Voltage: 220-240V

Light technic

Type of light source: LED
 Luminous flux: 3590lm
 Efficacy: 88 lm/W
 Colour temperature: 3000K
 Colour rendering (CRI): Ra>80
 MacAdams factor: SDCM: 2
 Lifetime: L90/B10>100,000
 Light distribution: Direct
 Optic: Reflector Flood 27dg.
 Beam angle: 27°

Control/Dimming

Type: On/Off

Protection

Luminaire class: Class II

Energy and approvals

Contains light source of energy class: D
 Bream: Fulfils Hea 01 for flicker free lighting
 BVB: Yes

Materials and finish

Housing: Die-cast aluminium
 Colour: Black (20% gloss)
 Optics: Tempered glass

Mounting/Connection

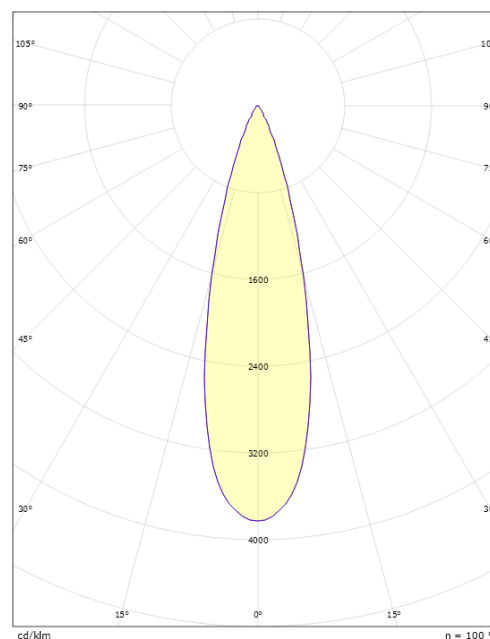
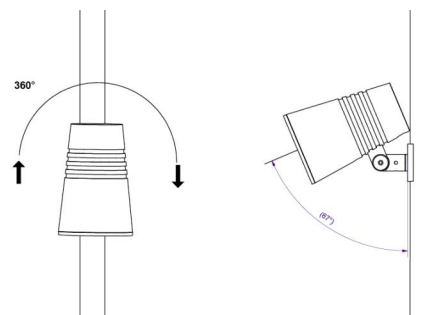
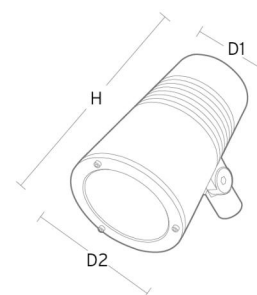
Mounting: Pole, wall, bollard or earthing rod, Outdoor
 Cable: Cable 2x1mm² 10m
 Wind projected area: 0,0403m² - Max 5,3 kg

Dimensions

Height (mm) H: 268
 Diameter (mm) D: 180
 Weight (kg) gross/net: 4.7 / 4.5

Packaging

Packing dimensions (mm): 275 x 275 x 275



— C0/C180
 — C90/C270



5 7 0 3 8 2 1 1 7 3 2 3 0